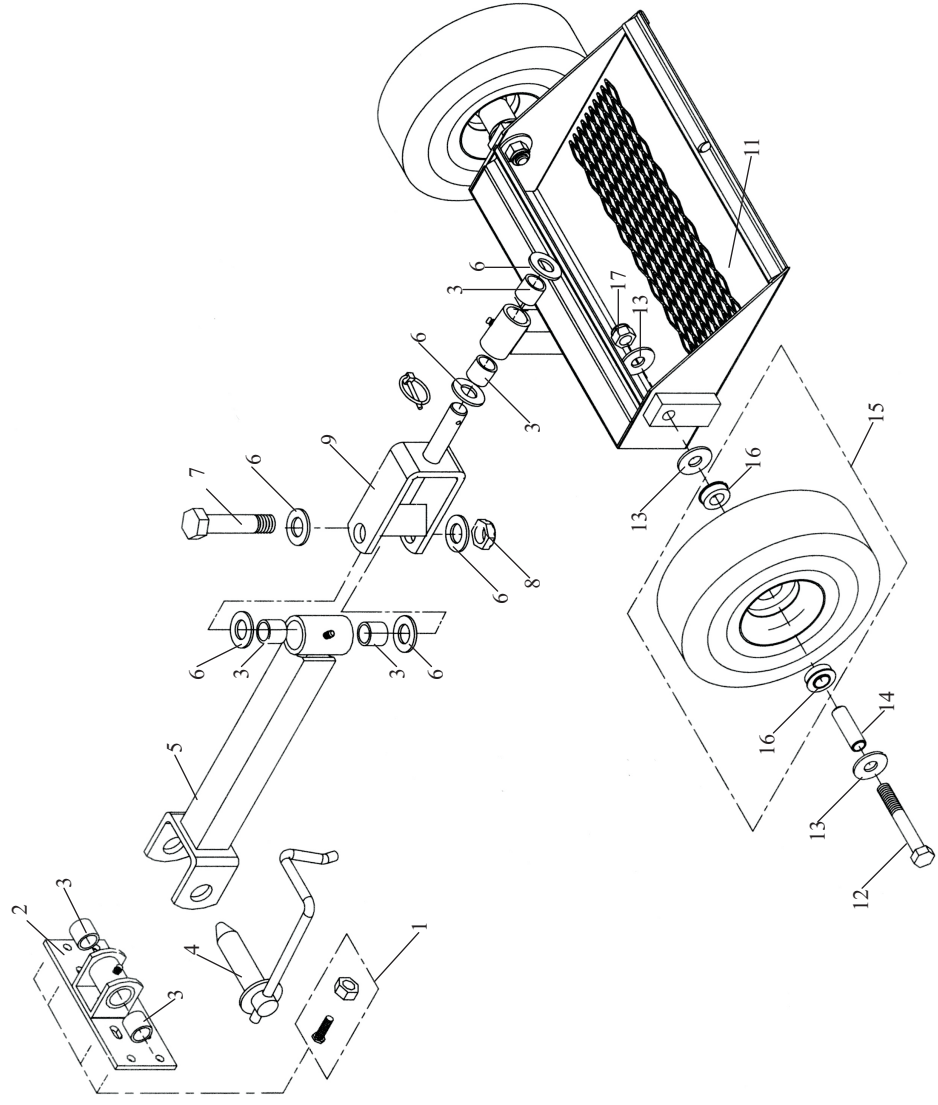


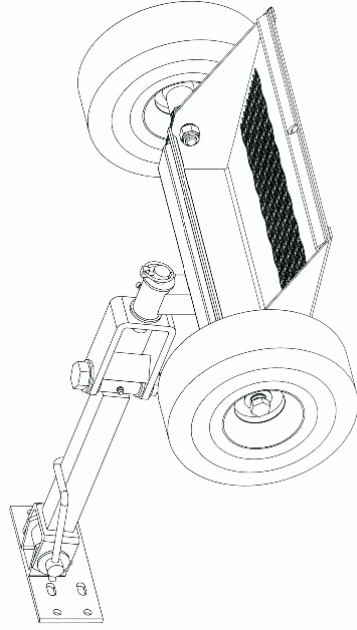
# PS-100 Parts list

Ref #	Part No.	Req.	Description
1	1020	1	Bolt kit – mounting bracket
2	1038-1	1	Mounting bracket – universal
3	1018	6	Bushing, iron
4	1037	1	Kick pin
5	1022	1	Forearm assembly
6	1023	6	Washer, 7/8"
7	1013	1	Bolt, special – linkage pin
8	1031	1	Nut, linkage – locking
9	1029	1	Yoke, linkage
10	1026	1	Lynch pin
11	1049	1	Deck assembly
12	1014	2	Bolt, axle
13	1025	6	Washer, 5/8"
14	1044	2	Spanner Bushing
15	1047RB	2	Wheel assembly w/ HD bearings
16	1017RB	4	Bearing, HD
17	1041	2	Nut, axle – locking
18	1010	3	Grease fitting
19	1011	1	Cable hang-up kit (not shown)



**SELBRO**  
INCORPORATED

Bellevue, Ohio 44811



## PS-100 Sulky Instructions

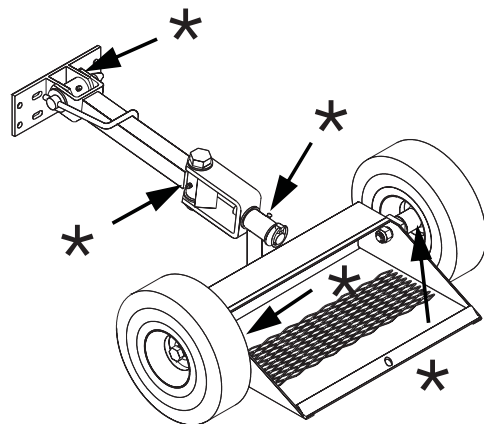
Document # D0002  
Revision #6  
Effective date 10/1/08

# Sulky Model # PS-100

## Safety Warnings

### Before using your sulky:

- 1) Read, understand and follow all mower manufacturer's operation and safety instructions. You should become completely familiar with all safety controls and how to start and stop your mower safely. Know the location and function of all operator presence controls that automatically shut the mower off when you release the handles.
- 2) Use equipment at slow speeds until you become completely familiar with both mower and sulky.
- 3) Check the area before mowing with sulky. Be aware of any holes, drop-offs, tree limbs or branches, as the sulky swings out on turns and moves up and down over the terrain.
- 4) Do not operate in rough terrain or too close to obstacles.
- 5) Clear area to be mowed with sulky of any objects such as rocks, toys, wire, tree limbs, etc.
- 6) Never carry passengers.
- 7) Slow down before turning; avoid erratic operation and excessive speeds.
- 8) Do not operate sulky while under the influence of alcohol or drugs.
- 9) Wear sturdy, rough-soled work shoes. Never operate or use sulky in bare feet or sandals..
- 10) Do not use sulky near drop-offs, ditches or embankments! A wheel over the edge or an edge caving-in could cause a sudden overturn of sulky and mower.
- 11) We do not recommend staying on sulky while backing up unless your mower is a dual hydrostatic machine.
- 12) Mowing or using your sulky on all slopes requires extra caution.
- 13) Use slow speeds. Keep all movements on the slopes slow and steady. Do not make sudden changes in speed or direction. Quick acceleration or braking could cause the front of the mower to lift, tip sideways or slide, which could cause serious injury.
- 14) Avoid starting or stopping on any hillside. If tires lose traction, disengage mower blades and move slowly straight across the slope or hillside.
- 15) Do not turn on slopes unless necessary. If absolutely necessary, turn slowly and gradually across and down slope / hillside.
- 16) Do not mow or use sulky on wet grass as it will increase or cause sliding.
- 17) Do not mow up or down hillsides or slopes over 10° while using sulky.
- 18) Use extra care when moving equipment on and off trailer. **Do not ride on sulky when loading or unloading.**



This Sulky is shipped from the factory without grease. Grease where indicated(\*) before each use. Regular maintenance will insure a long service life.

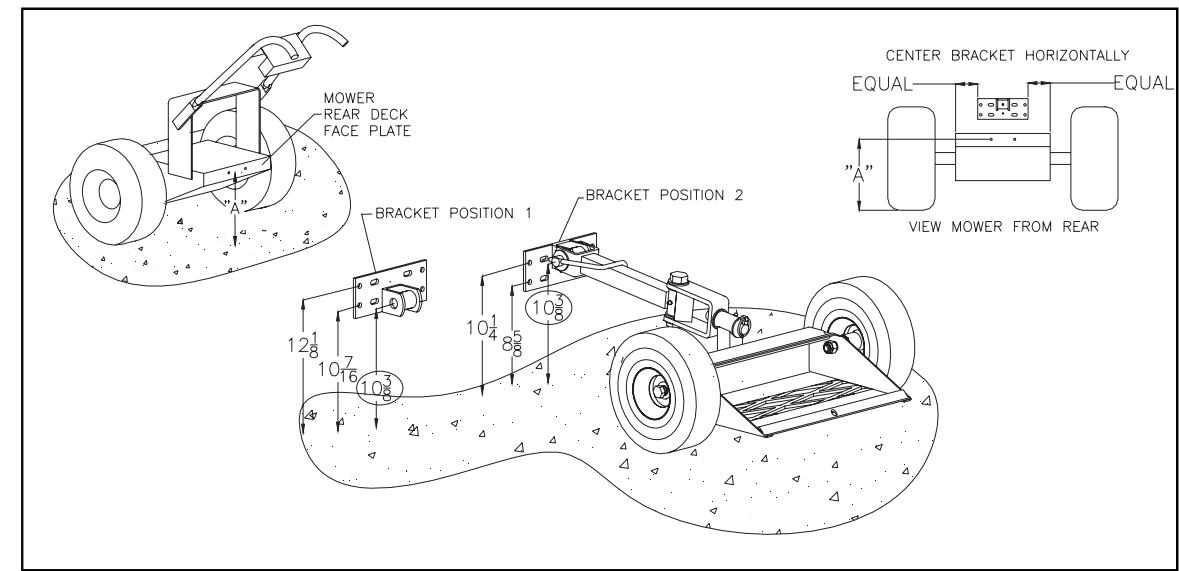
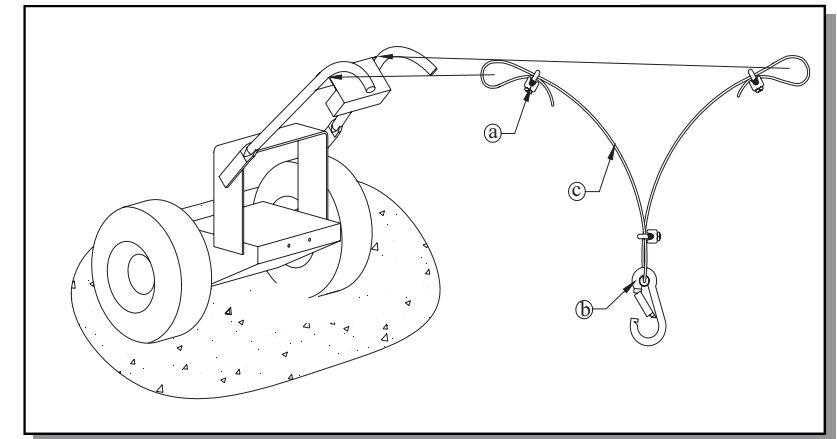
## Transport / Hang up guidelines

A cable hook up kit is supplied with each sulky:

Cable kit # 1011

- (a) 3 ea. Cable clamps # 1063
- (b) 1 ea. Snap Hook # 1064
- (c) 4 ft. length of cable # 1065

Due to the many different types of mower handles and the location of operator presence controls, we can only offer the following illustrated transport / hook up suggestion :



- 1) Disengage the mower PTO, make sure engine is off - remove the ignition key to prevent accidental starting.
- 2) As illustrated above, the mounting bracket is designed to mount on the mower rear deck pace plate.
  - The bracket must be centered horizontally on the mower rear deck face plate.
  - The bracket center pin vertical dimension should be maintained at approx. 11 1/2 " as illustrated.
  - Clamp the bracket on the rear deck face plate. Make sure the bracket is aligned both vertically and horizontally.
  - Check the sulky deck platform for level and adjust as necessary.
  - Drill holes using a 3/8 " drill bit. NOTE: before drilling, make sure you inspect behind the face plate for belts and pulley's.
  - After drilling, bolt the bracket in place using the supplied hardware. Be sure to use ALL Four or Six bolt as supplied.
  - Bolts can go through face plate in either direction.