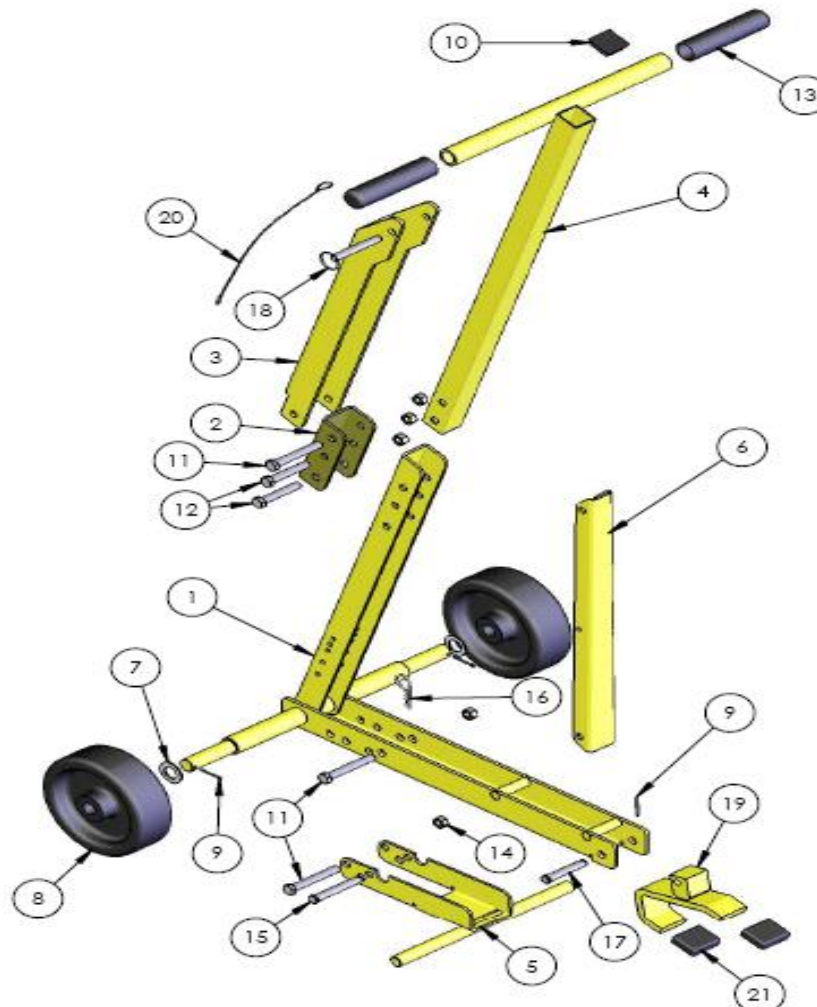


JJ-JACK 4

JUNGLE JACK

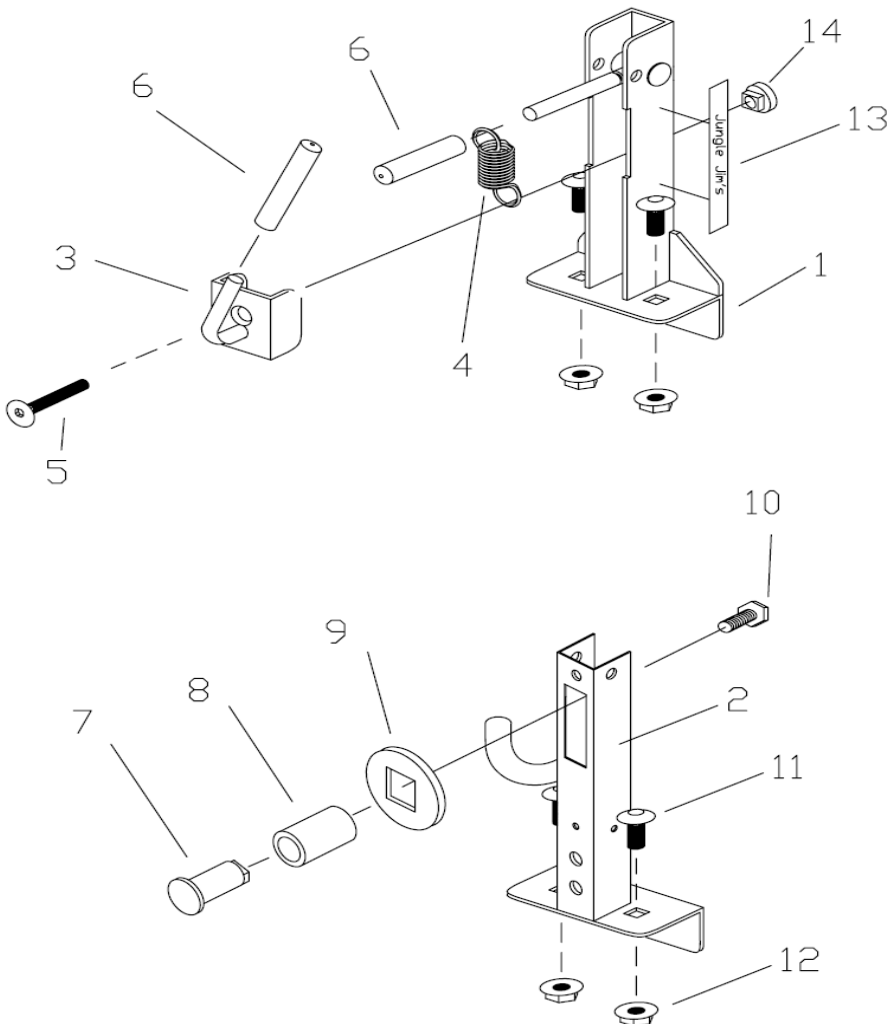
Scroll down for more models.
 Note: Schematic below parts list for each item
 Call 800-769-3741
 Power Equipment Warehouse

Reference #	PART #	DESCRIPTION
1	JJ FRAME3	Frame Assembly 3
2	JJ-LFAR	Large Foot Assist Reinforcement
3	JJ-LFA	Large Foot Assist
4	JJ-HANDLE	Handle Assembly
5	JJ-SAFETY3	Safety Arm Assembly 3
6	JJ-JB3	Jungle Jack Brace 3
7	409	¾" I.D. x 1¼" O.D. washer
8	911	New Style Jack Wheel (6")
9	807	1/8 x 1" Cotter Pin
10	706	Jack Handle Cap
11	209	3/8"-16 x 2¾" HCS GR5 Z
12	207	3/8-16 x 2¼ HCS GR5
13	VINYL-JJ GRIP	Rigid Vinyl Hand Grip
14	311	3/8"-16 Center Lock Nut
15	803	3/8" X 2¾" Clevis Pin (#174)
16	805	.093 x 2" Hitch Pin
17	802	3/8" x 2-¼" (Clevis Pin #166)
18	818	3/8" x 2 7/8" Detent Ring Pin
19	JJ TOOTH	Standard Tooth Assembly 2.25"
20	727	3/64" x 12" Loop End Lanyard
21	VINYL -JJ	.375 X 1.49 X 1 ¼" VINYL(2 PER UNIT)
not shown	JJ TORO	Wide Tooth Assembly 3"
		Kit to upgrade Jack 2 or Jack 3
	JJ LFA (PARTS)	INCLUDES: JJ-LFAR, JJ-LAFA and hardware
	JJ HARD4	Includes all hardware needed for assembly



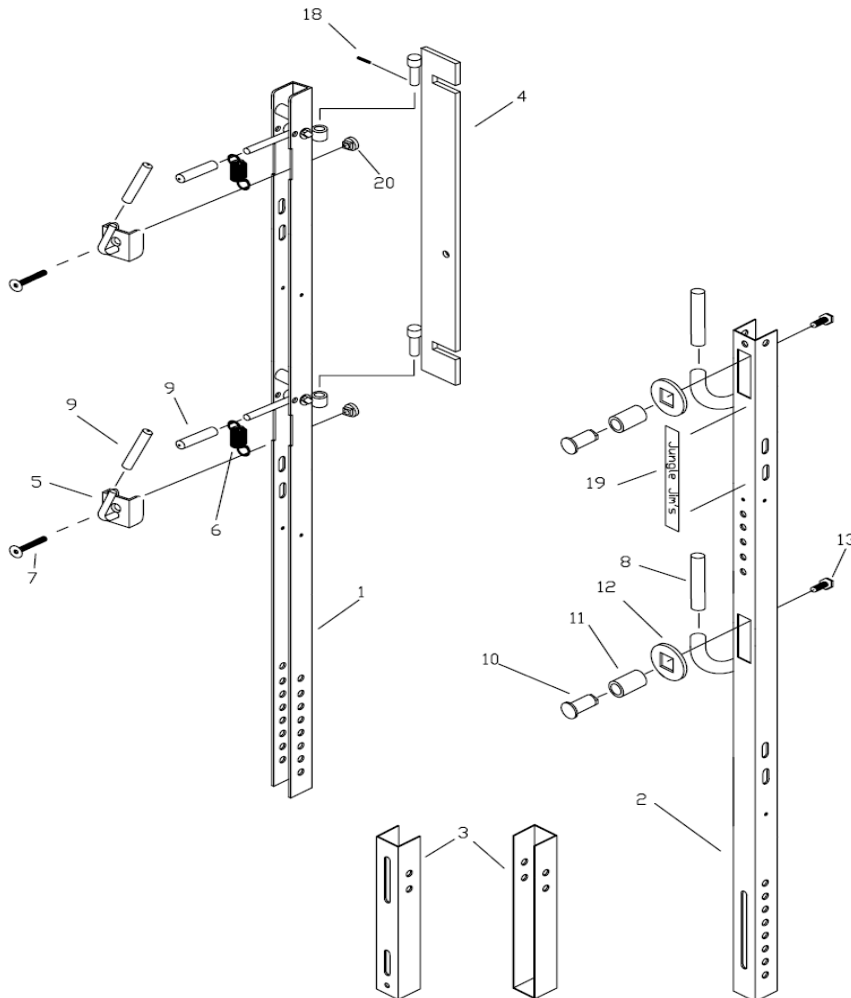
1TR**Trimmer Rack 1**

Reference #	Part #	Description
1	1TR-LP	1 Trimmer Rack, Locking Pole
2	1TR-CP	1 Trimmer Rack, Compression Pole
3	ATR-TH	Trimmer Hook
4	502	Extension Spring
5	206	3/8"-16 x 2" Flat Head Socket Screw
6	VINYL-3.75	1/2" I.D. x 3 3/4" I.L. Vinyl
7	ATR-CP	Compression Pin
8	711	1/2" x 1" Hose
9	ATR-WASH	3/8" Square Washer
10	101	5/16"-18 x 5/8" Serrated Flange Bolt
11	104	3/8"-16 x 3/4" Carriage Bolt
12	307	3/8"-16 Hex Flange Nut
13	DECAL-JUNGLE	Jungle Jim's Decal
14	ATR-LN	3/8"-16 Locking Nut
15	VINYL-4.5	1/2" I.D. x 4 1/2" I.L. Vinyl
	1TR-CPBAG	Compression Pin Hardware for 1TR
	1TR-HBAG	Mounting Hardware Bag
not shown but can be added	ATR-SLB	Spool Line Bar Weldment Comes with Hardware

Parts

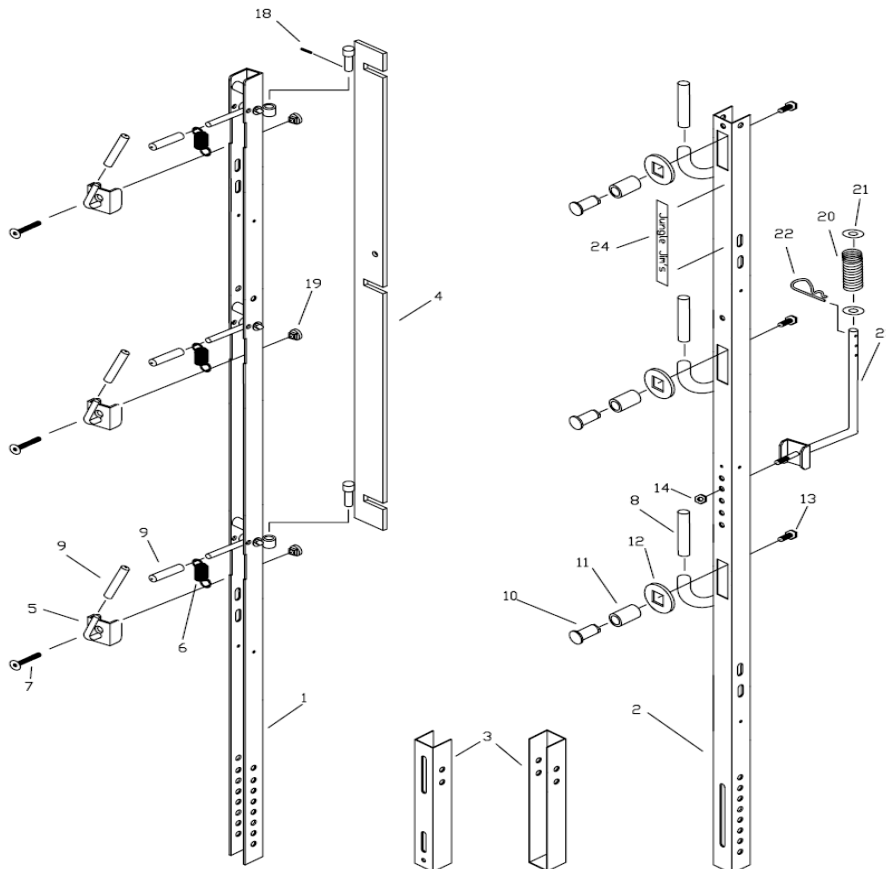
2TR**Trimmer Rack 2**

Referance#	Part #	Description
1	2TR-LP	2 Trimmer Rack, Locking Pole
2	2TR-CP	2 Trimmer Rack, Compression Pole
3	ATR-MB	Mounting Bracket
4	2TR-LBW	2 Trimmer Rack, Locking Bar Weldment
5	ATR-TH	Trimmer Hook
6	502	Extension Spring
7	206	3/8"-16 x 2" Flat Head Socket Screw
8	VINYL-4.5	1/2" I.D. x 4 1/2" I.L. Vinyl
9	VINYL-3.75	1/2" I.D. x 3 3/4" I.L. Vinyl
10	ATR-CP	Compression Pin
11	711	1/2" x 1" Hose
12	ATR-WASH	3/8" Square Washer
13	101	5/16"-18 x 5/8" Serrated Flange Bolt
14	307	3/8"-16 Hex Flange Nut
15	407	3/8" USS Flat Washer
16	208	3/8"-16 x 2 1/2" Hex Cap Screw
17	202	3/8"-16 x 1" Hex Cap Screw
18	810	5/32" x 7/8" Expan Pin
19	DECAL-JUNGLE	Jungle Jim's Decal
20	ATR-LN	3/8"-16 Locking Nut
	2TR-CPBAG	Compression Pin Hardware for 2TR
	ATR-MHBAG	Trimmer Rack Mounting Hardware
not shown but can be added	ATR-SLB	Spool Line Bar Weldment Comes with Hardware

Parts

3TR**Trimmer Rack 3**

Reference #	Part #	Description
1	3TR-LP	3 Trimmer Rack, Locking Pole
2	3TR-CP	3 Trimmer Rack, Compression Pole
3	ATR-MB	Mounting Bracket
4	3TR-LBW	3 Trimmer Rack, Locking Bar Weldment
5	ATR-TH	Trimmer Hook
6	502	Extension Spring
7	206	3/8"-16 x 2" Flat Head Socket Screw
8	VINYL-4.5	1/2" I.D. x 4 1/2" I.L. Vinyl
9	VINYL-3.75	1/2" I.D. x 3 3/4" I.L. Vinyl
10	ATR-CP	Compression Pin
11	711	1/2" x 1" Hose
12	ATR-WASH	3/8" Square Washer
13	101	5/16"-18 x 5/8" Serrated Flange Bolt
14	307	3/8"-16 Hex Flange Nut
15	407	3/8" USS Flat Washer
16	208	3/8"-16 x 2 1/2" Hex Cap Screw
17	202	3/8"-16 x 1" Hex Cap Screw
18	810	5/32" x 7/8" Expan Pin
19	ATR-LN	3/8"-16 Locking Nut
20	501	Compression Spring
21	403	1/2" SAE Flat Washer
22	806	1/8" Hair Pin Cotter
22	ATR-SLB	Spool Line Bar Weldment Comes with Hardware
24	DECAL-JUNGLE	Jungle Jim's Decal
	3TR-CPBAG	Compression Pin Hardware for 3TR
	ATR-MHBAG	Trimmer Rack Mounting Hardware

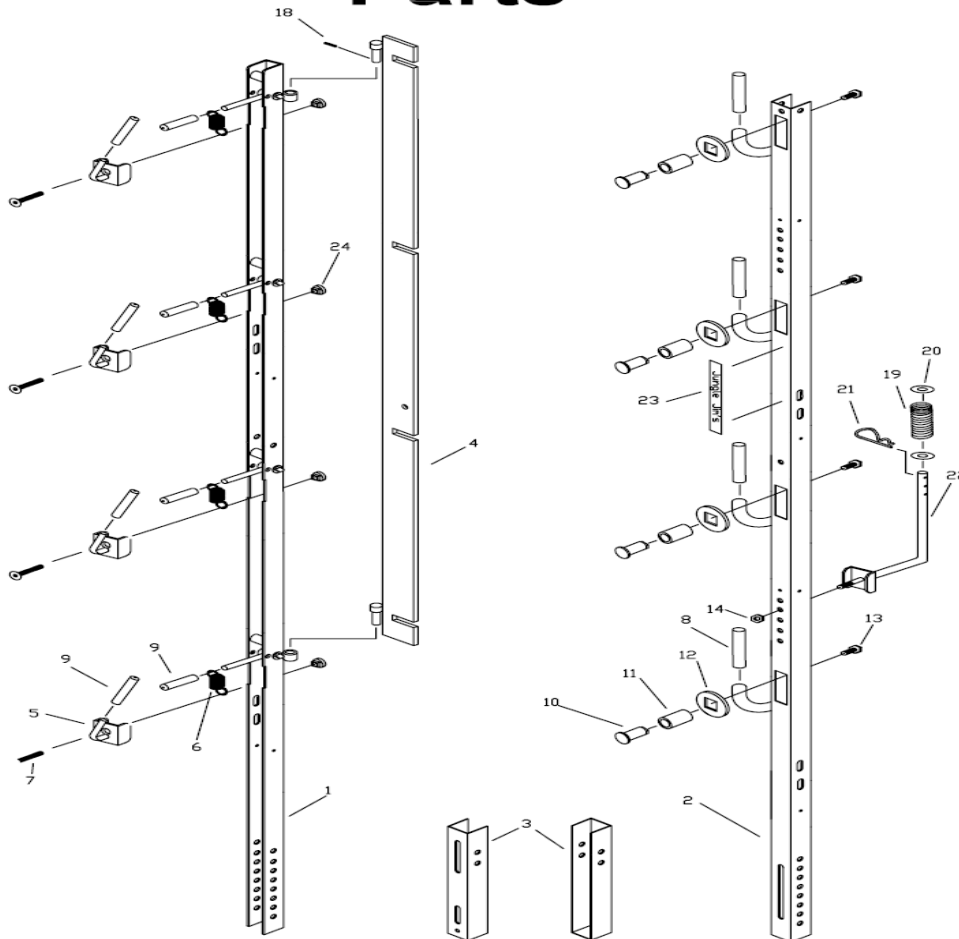
Parts

4TR

Trimmer Rack 4

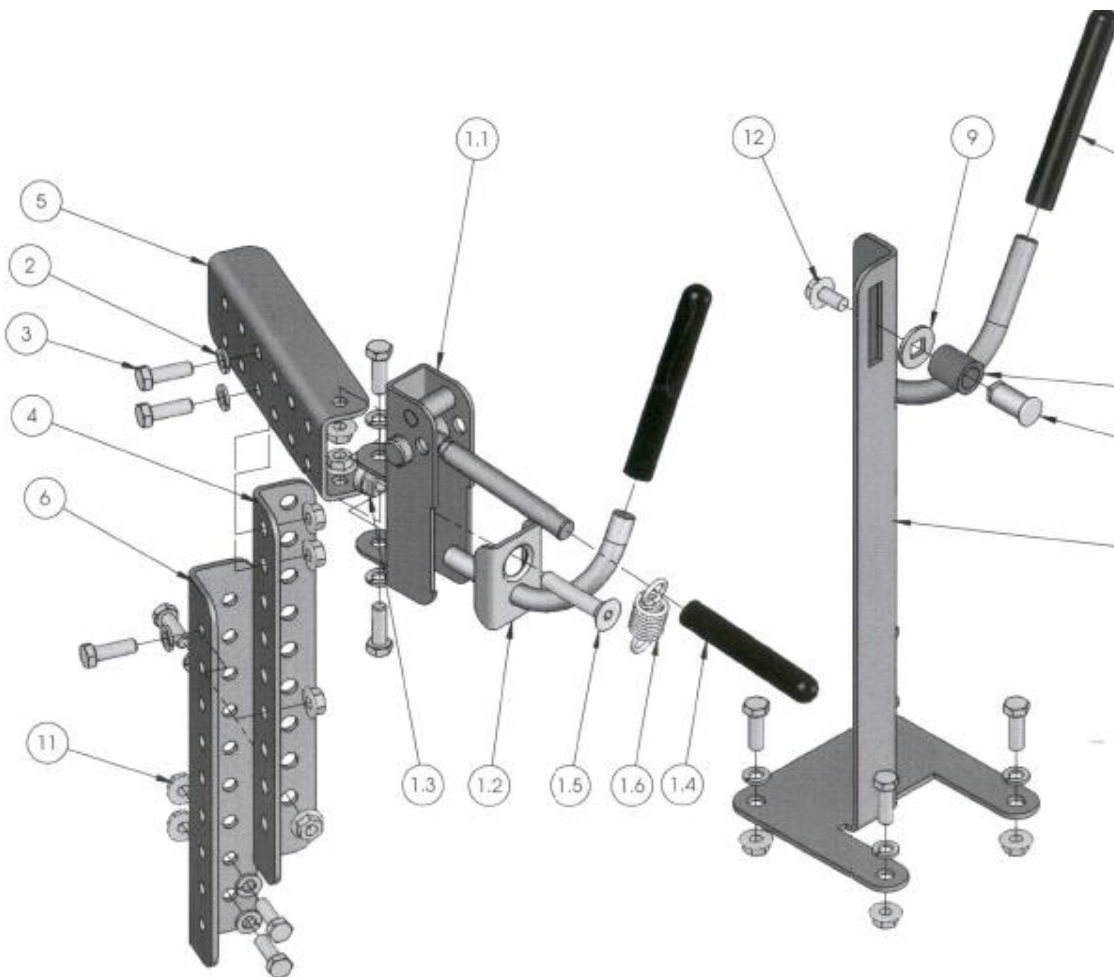
Referance#	Part #	Description
1	4TR-LP	4 Trimmer Rack, Locking Pole
2	4TR-CP	4 Trimmer Rack, Compression Pole
3	ATR-MB	Mounting Bracket
4	4TR-LBW	4 Trimmer Rack, Locking Bar Weldment
5	ATR-TH	Trimmer Hook
6	502	Extension Spring
7	206	3/8"-16 x 2" Flat Head Socket Screw
8	VINYL-4.5	1/2" I.D. x 4 1/2" I.L. Vinyl
9	VINYL-3.75	1/2" I.D. x 3 3/4" I.L. Vinyl
10	ATR-CP	Compression Pin
11	711	1/2" x 1" Hose
12	ATR-WASH	3/8" Square Washer
13	101	5/16"-18 x 5/8" Serrated Flange Bolt
14	307	3/8"-16 Hex Flange Nut
15	407	3/8" USS Flat Washer
16	208	3/8"-16 x 2 1/2" Hex Cap Screw
17	202	3/8"-16 x 1" Hex Cap Screw
18	810	5/32" x 7/8" Expan Pin
19	501	Compression Spring
20	403	1/2" SAE Flat Washer
21	806	1/8" Hair Pin Cotter
22	ATR-SLB	Spool Line Bar Weldment Comes with Hardware
23	DECAL-JUNGLE	Jungle Jim's Decal
24	ATR-LN	3/8"-16 Locking Nut
	4TR-CPBAG	Compression Pin Hardware for 4TR
	ATR-MHBAG	Trimmer Rack Mounting Hardware

Parts



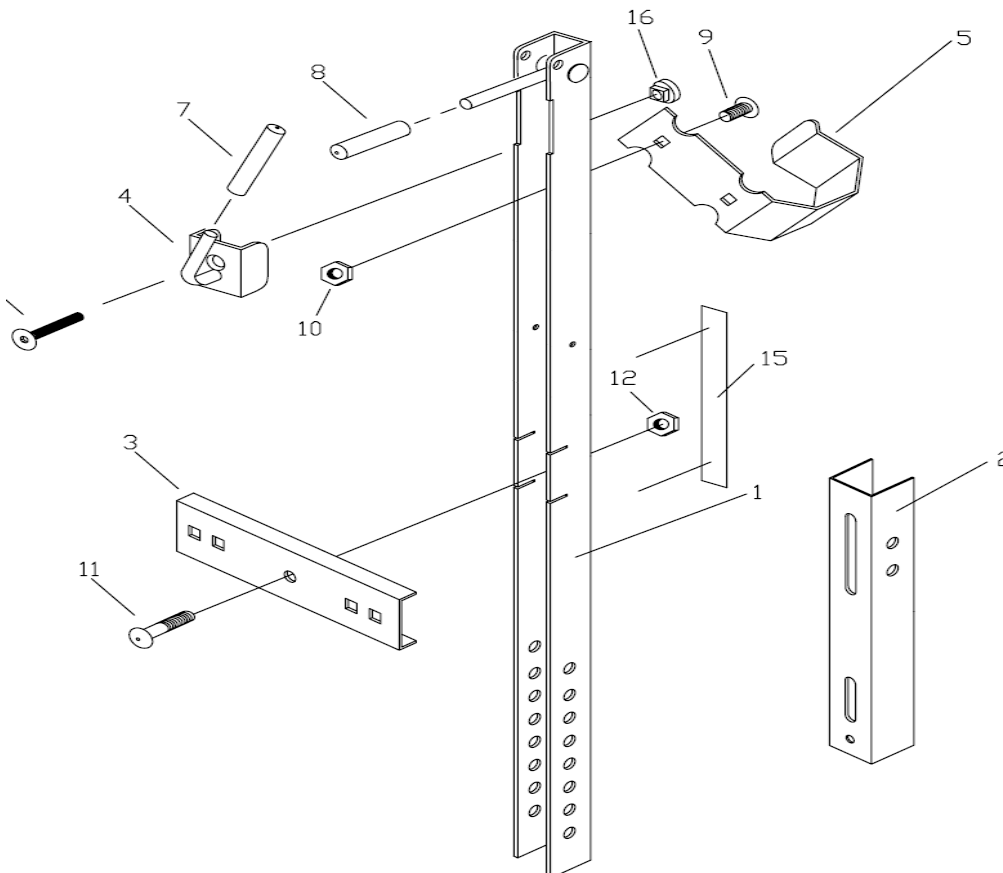
MTR**MOWER TRIMMER RACK**

Reference #	PART #	DESCRIPTION
1.1	MTR-LPW	Locking Pole Weldment
1.2	ATR-TH	TR Trimmer Hook
1.3	ATR-LN	TR Locking Nut
1.4	VINYL-3.75	½" I.D. x 3 ¾" I.L.Vinyl
1.5	206	3/8"-16 x 2" FHSCS Z
1.6	502	Trailer Mate Extension Spring
2	424	5/16 Split Lockwasher
3	214	5/16 - 18 x 1" Gr5 HCS z
4	MTR-HBRACE	Horizontal Brace
5	MTR-UPPER V	Upper Vertical Support
6	MTR-LOWER V	Lower Vertical Support
7	MTR-SSW	Shaft Support Weldment
8	ATR-CP	TR Compression Pin
9	ATR-WASH	3/8" Square Washer
10	711	½" x 1" Hose
11	308	5/16"-18 Hex Flange Nut
12	101	5/16"-18 x 5/8" Flange Bolt Z
13	VINYL-4.5	½ ID x 4 ½" Vinyl
	1TR-CPBAG	Compression Pin Hardware Bag
	MTR-HARD	Assembly & Mounting Hardware



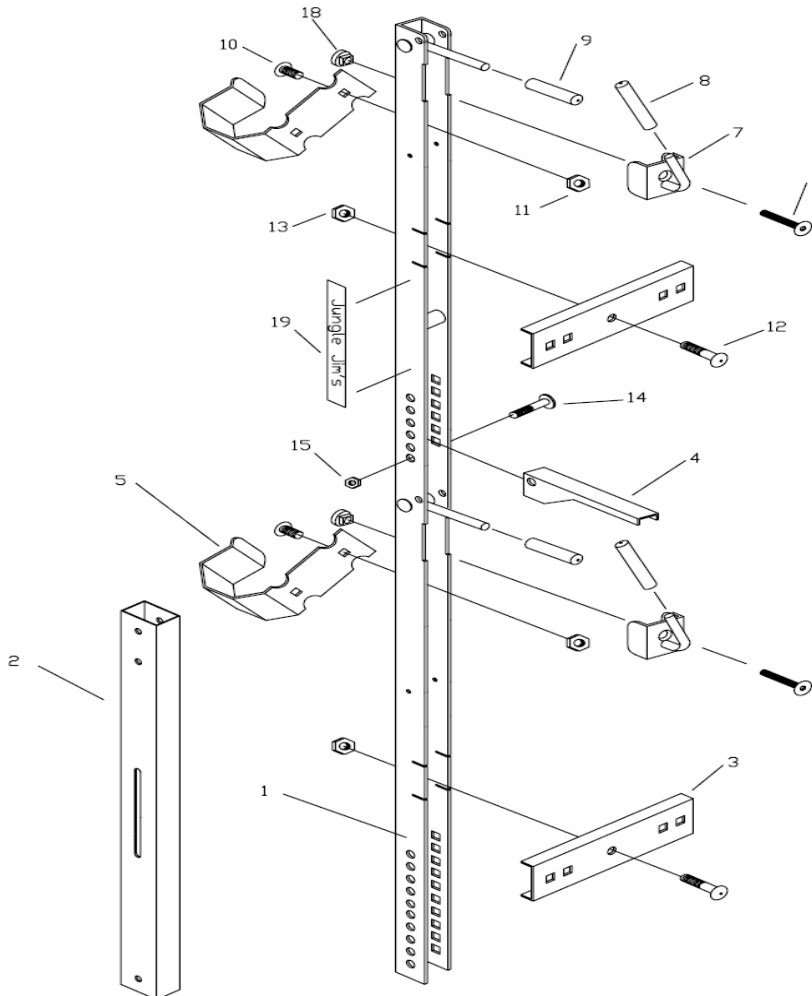
1BH**Blower Holder 1**

Referance#	Part #	Description
1	1BH-MCA	1 Blower Holder, Main Channel Assembly
2	ATR-MB	Mounting Bracket
3	ABH-CC	Cross Channel
4	ABH-BH	Blower Hook
5	TRM-TUBEH	Blower Tube Holder
6	206	3/8"-16 x 2" Flat Head Socket Screw
7	VINYL-4.5	1/2" I.D. x 4 1/2" I.L. Vinyl
8	VINYL-3.75	1/2" I.D. x 3 3/4" I.L. Vinyl
9	104	3/8"-16 x 3/4" Carriage Bolt
10	307	3/8-16 Hex Flange Nut
11	102	1/4"-20 x 2" Carriage Bolt
12	314	1/4"-20 Reverse Lock Nut
13	208	3/8"-16 x 2 1/2 Hex Cap Screw
14	407	3/8" USS Flat Washer
15	DECAL-JUNGLE	Jungle Jim's Decal
16	ATR-LN	3/8"-16 Locking Nut
17	203	3/8" - 16 X 1" Hex Cap Screw
	1BH-HBAG	Mounting & Assembly Hardware for 1BH
Not Pictured See Catalog	STIHL < 500	Adapter Bracket for Stihl Blowers Model #s less than 500
	STIHL > 500	Adapter Bracket for Stihl Blowers Model #s 500 and greater
	ECHO PB 610	Adapter bracket for Echo Blowers model 610
	ECHO 650/750	Adapter bracket for Echo Blowers models 650/750

Parts

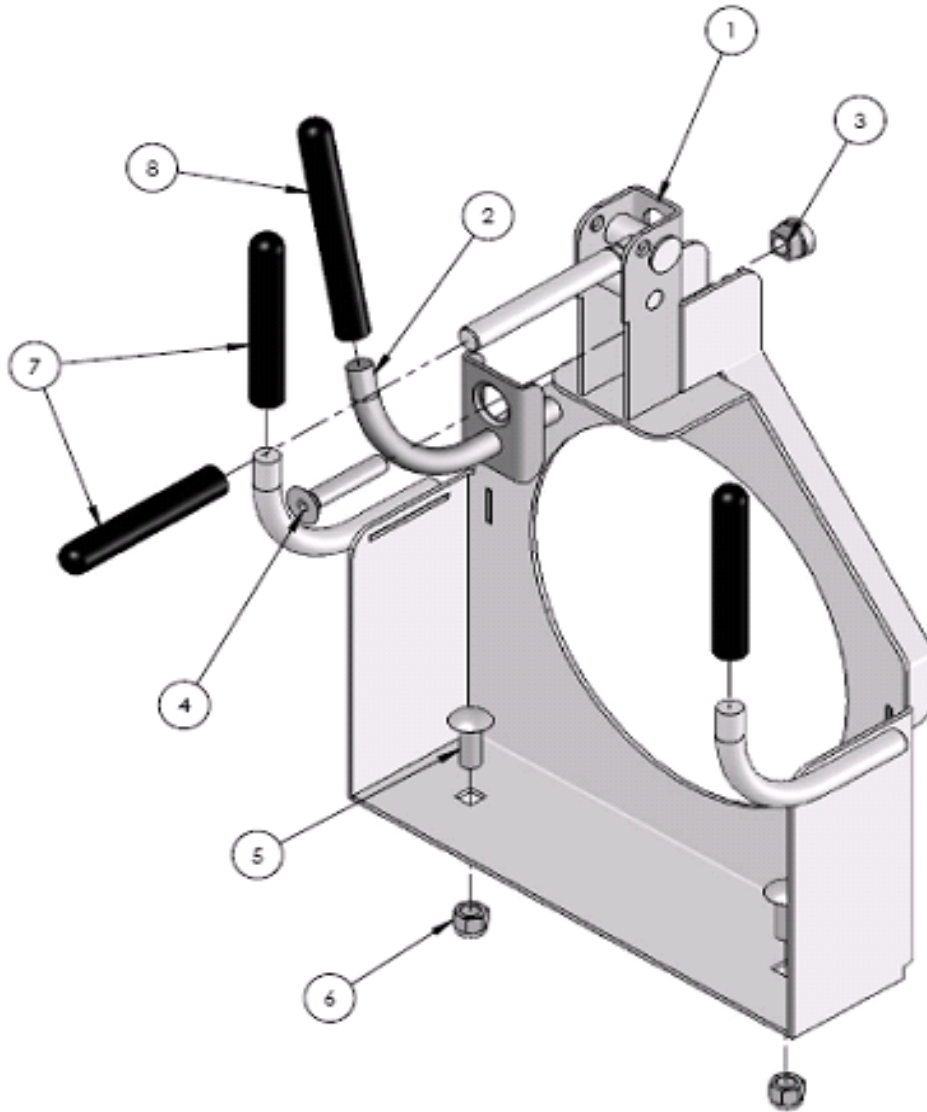
2BH**Blower Holder 2**

Referance#	Part #	Description
1	2BH-MCA	2 Blower Holder, Main Channel Assembly
2	2BH-MT	Mounting Tube
3	ABH-CC	Cross Channel
4	2BH-SR	Blower Support Rail
5	TRM-TUBEH	Blower Tube Holder
6	206	3/8"-16 x 2" Flat Head Socket Screw
7	ABH-BH	Blower Hook
8	VINYL-4.5	1/2" I.D. x 4 1/2" I.L Vinyl
9	VINYL-3.75	1/2" I.D. x 3 3/4" I.L. Vinyl
10	104	3/8"-16 x 3/4" Carriage Bolt
11	307	3/8"-16 Hex Flange Nut
12	102	1/4"-20 x 2" Carriage Bolt
13	314	1/4"-20 Reverse Lock Nut
14	100	5/16"-18 x 1 3/4" Carriage Bolt
15	305	5/16"-18 Nylon Lock Nut
16	208	3/8"-16 x 2 1/2" Hex Cap Screw
17	407	3/8" USS Flat Washer
18	ATR-LN	3/8"-16 Locking Nut
19	DECAL-JUNGLE	Jungle Jim's Decal
	2BH-HBAG	Mounting and Assembly Hardware for 2BH
Not Pictured See Catalog	STIHL < 500	Adapter Bracket for Stihl Blowers Model #s less than 500
	STIHL > 500	Adapter Bracket for Stihl Blowers Model #s 500 and greater
	ECHO PB 610	Adapter bracket for Echo Blowers model 610
	ECHO 650/750	Adapter bracket for Echo Blowers models 650/750

Parts

HBH**Hand Held Blower Holder**

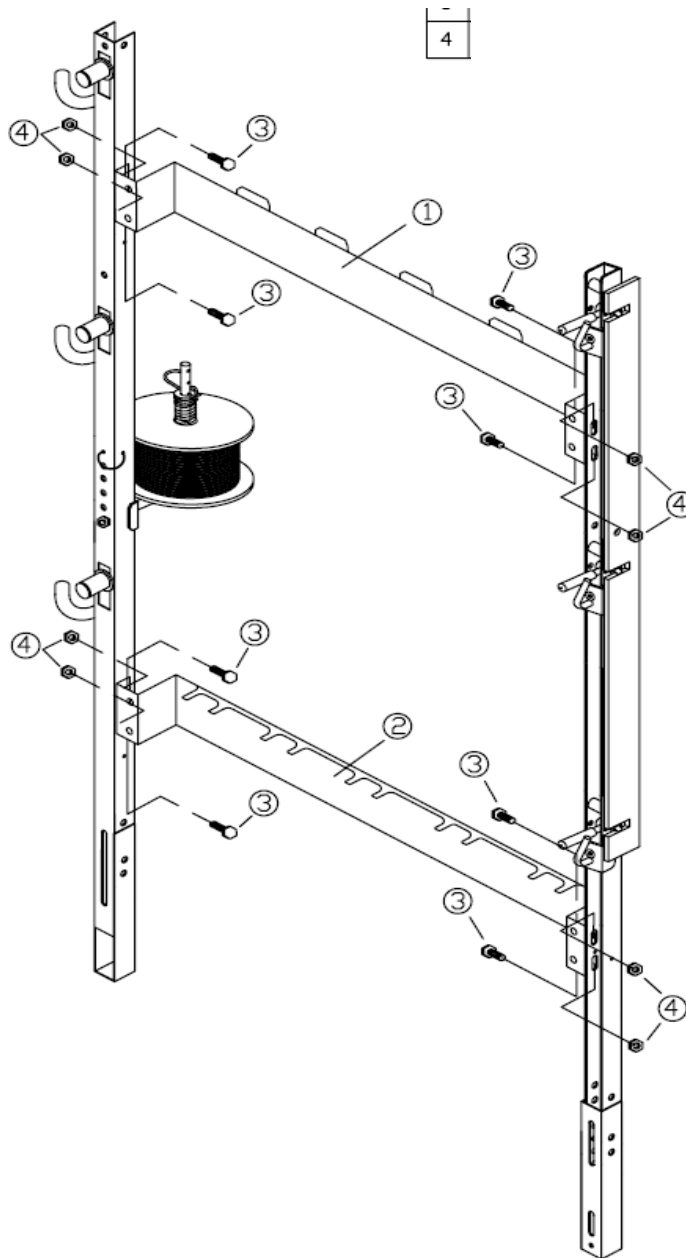
Reference #	Part #	Description
1	HBH-WELDMENT	Hand Held Blower Holder Weldment
2	ABH-BH	Blower Hook
3	ATR-LN	Locking Nut
4	206	3/8"-16 x 2" FHSCS
5	105	3/8"-16 x 1" Carriage Bolt
6	302	3/8"-16 Nylon Lock Nut
7	VINYL-3.75	1/2" I.D. x 3 3/4" I.L. Vinyl
8	VINYL-4.5	1/2" ID x 4 1/2" Vinyl
	HBH HARD	Mounting and Assembly Hardware for HBH



TR.TOOL

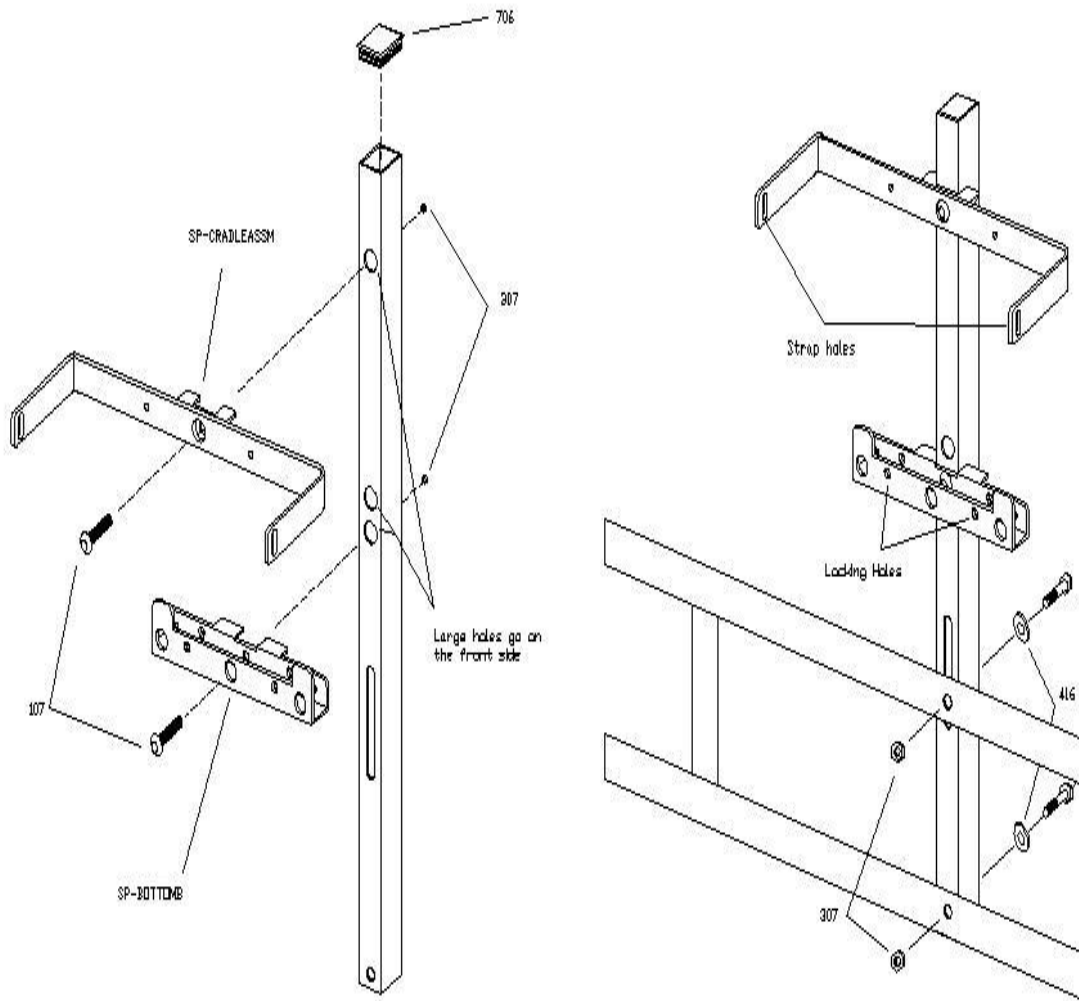
TOOL RACK

Referance #	Part #	Description
1	TR TOP	Top portion of Tool Rack
2	TR BOTTOM	Bottom portion of Tool Rack
3	203	3/8"-16 x 1 HCS GR5 Z (included in TR Hard) (8 per unit) (pricing for 1)
4	307	3/8"-16 Hex Flange Nut Z(included in TR Hard) (8 per unit) (pricing for 1)
	800	Tool Rack Grommets (included in TR Hard) (5 per unit) (pricing for 1)
	TR HARD	Hardware Pack for Tool Rack



SP;SPRACK**JUNGLE SPRACK**

	PART #	DESCRIPTION
These items are all included in the Hardware Pack	209	3/8"-16 X 2 3/4" Hex Cap Screw
	307	3/8"-16 Hex Flange Nut
	416	3/8" Lockwasher
	107	3/8"-16 x 1 3/4" Carriage Bolt GR5
	703	Polyweb Triglode Fastener (2 per unit) (pricing for 1)
	705	Snap Buckle Male & Female End
	717	30" Web Strap (2 per unit) (pricing for 1)
	706	Jack Handle Cap
	SP-CRADLEASSM	Cradle Weldment of Sprack
	SP-BOTTOMB	Bottom Bracket of Sprack
SP-TUBE	Sprack Tube	
SP HARD	Mounting and Assembly Hardware for Sprack	

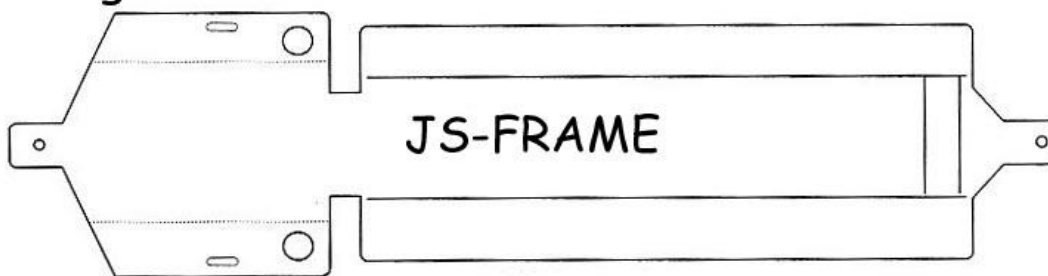


JS:SHEATH

JUNGLE SHEATH

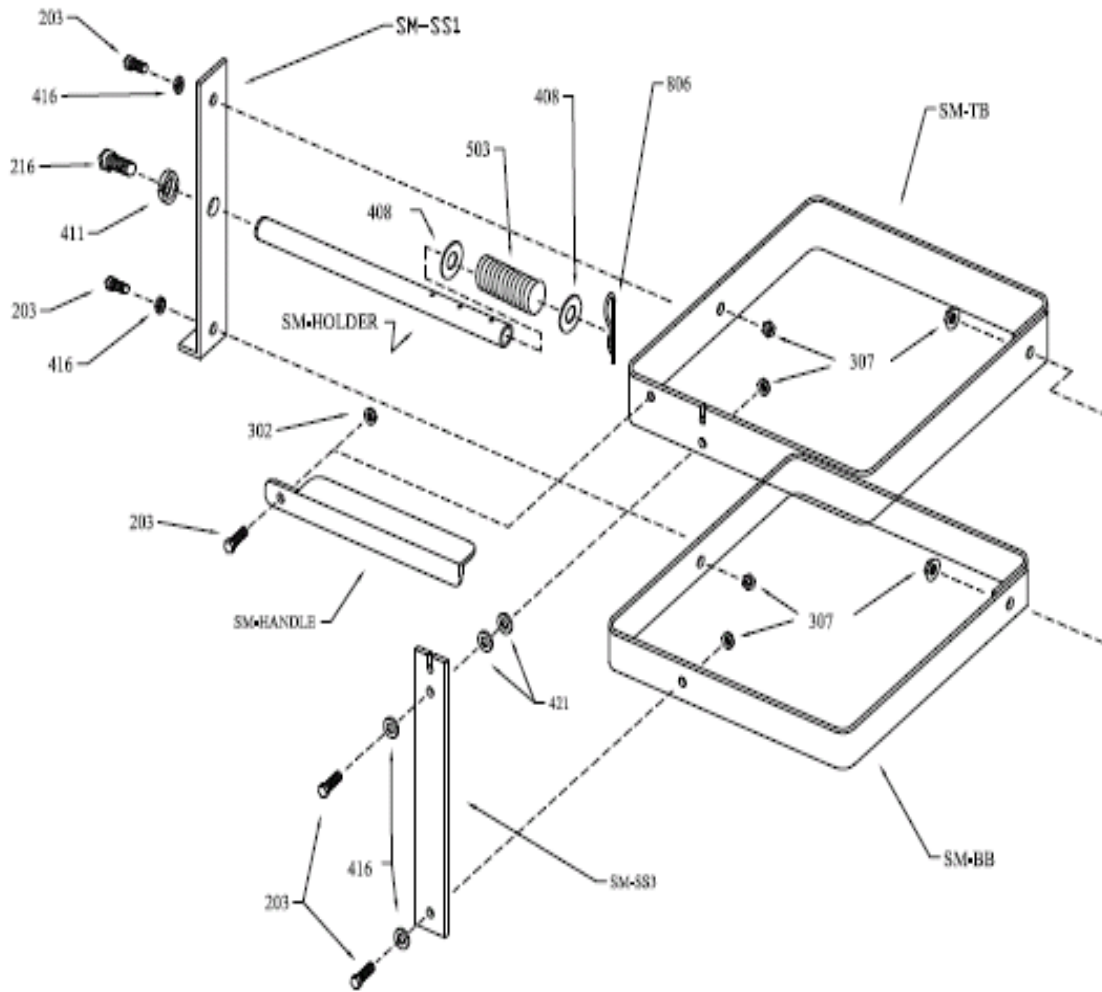
	PART #	DESCRIPTION
	JS-FRAME	Sheath Frame
	JS-HARD	Mounting and Assembly Hardware for Sheath (Includes 2 each of #203, #307, & #416)
these items are included in the hardware	708	18" Cut Chain for locking
	717	30" web strap (pricing for 1) (2 per unit)
	705	Snap buckle – male & female end
	703	Polyweb tri-glide fastener (pricing for 1) (2 per unit)

Jungle Sheath Parts



SM-SPOOL**SPOOL MATE**

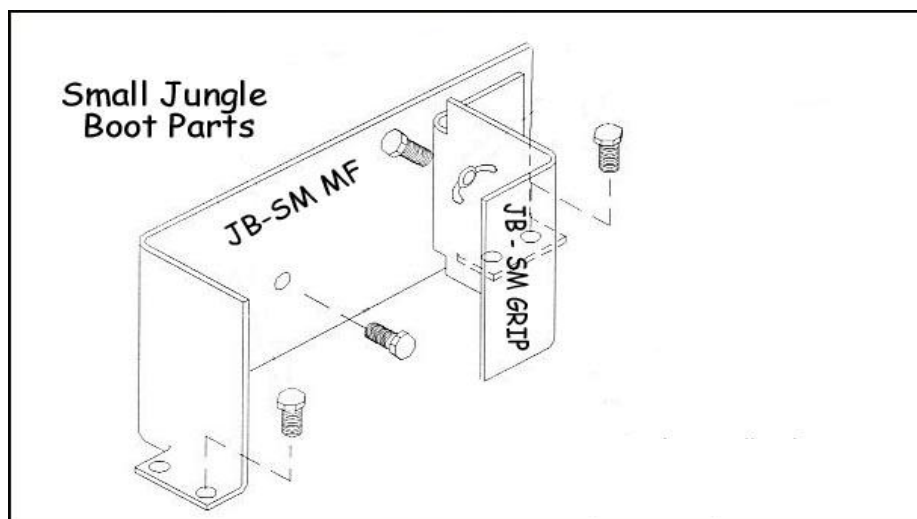
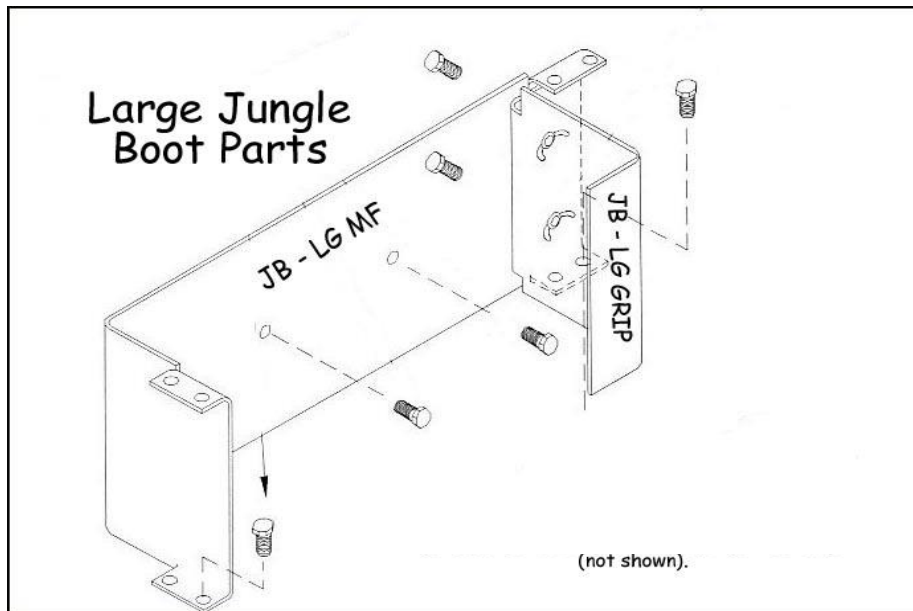
PART #	DESCRIPTION
SM-SS1	Side support with spool hole
SM-HOLDER	Spool Holder
SM-HANDLE	Cutting Holder
SM-SS3	Side support with cutter notch
SM-BB	Bottom Bar
SM-TB	Top Bar
203	3/8" - 16 X 1" Hex Cap Screw
307	3/8-16 Hex Flange Nut
416	3/8" Split Lockwasher Z
408	3/4" SAE Flat Washer Z
503	¾ ID x 3½ L Spring @ 15 lbs.
806	1/8" Hair Pin Cotter
216	9/16"-18 X 1" HCS Z
411	9/16" Lock Washer
421	3/8" USS Washer .064" Thk
302	3/8"-16 Nylon Lock Nut
SM-HARD	Assembly and Mounting Hardware for Spool Mate



JB-LARGE**LARGE JUNGLE BOOT,**

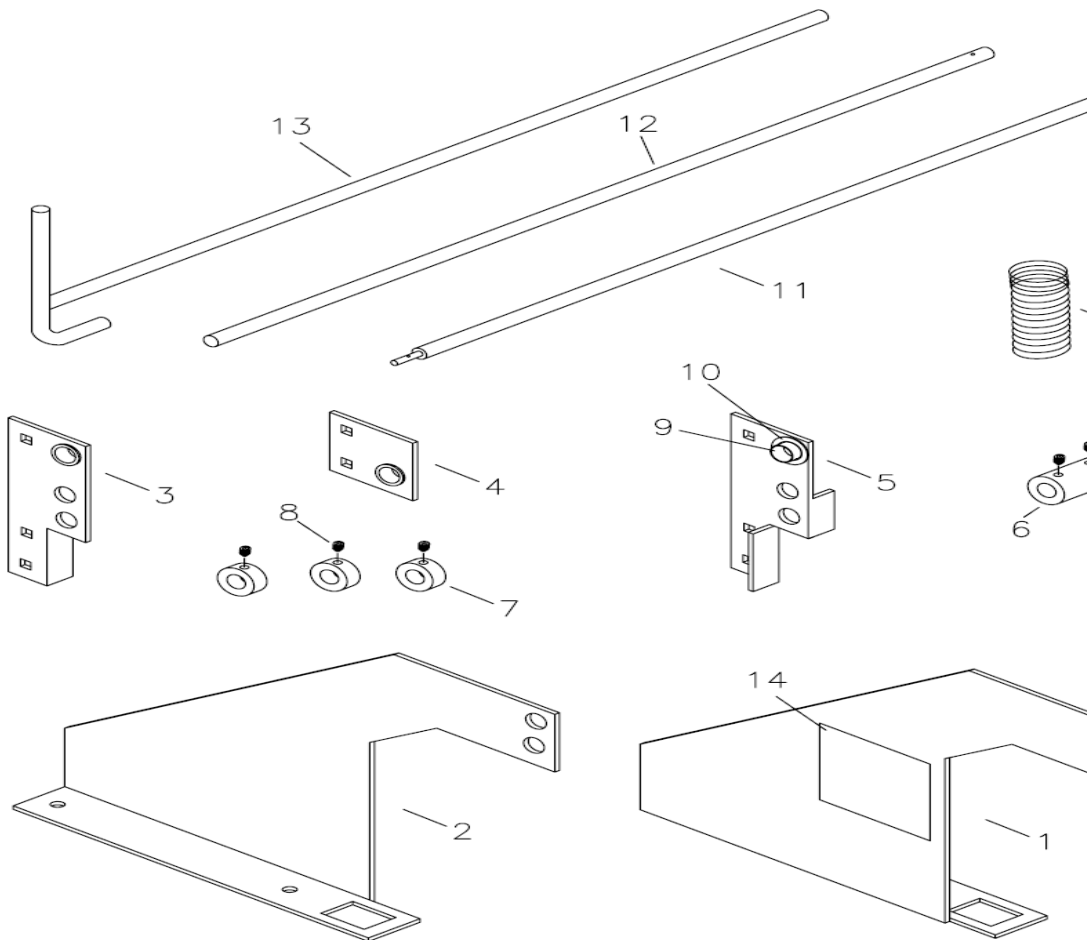
PART #	DESCRIPTION
JB-LG MF	Main Frame for Large Boot
JB-LG GRIP	Large Boot Gripper
JB HARDWARE	Jungle Boot Large Hardware
103	3/8-16 x 3/4 Carriage Bolt GR5 Z (2 PER UNIT)
312	3/8"-16 Wing Nut (2 PER UNIT)
DECAL-JB	Jungle Boot Decal

JB-SMALL	SMALL JUNGLE BOOT
JB-SM MF	Main Frame for Large Boot
JB-SM GRIP	Large Boot Gripper
JB HARDWARE	Jungle Boot Large Hardware
103	3/8-16 x 3/4 Carriage Bolt GR5 Z (2 PER UNIT)
312	3/8"-16 Wing Nut (2 PER UNIT)
DECAL-JB	Jungle Boot Decal



RL-RAPID**Rapid Latch**

Reference #	Part #	Description
1	RLSP1	Striker Plate 1
2	RL-SP2	Striker Plate 2
3	RL-LGGBA	Left Gate Bracket Assembly
4	RL-MGBA	Middle Gate Bracket Assembly
5	RL-RGBA	Right Gate Bracket Assembly
6	RL-COUP	5/8" Shaft Coupling
7	RL-COL	5/8" Shaft collar
8	221	5/16" - 18 x 1/4" Socket Set Screw
9	RL-BUSH	5/8" Flange Bushing
10	715	7/8" Shelf Locking Retaining Ring
11	RL-LPRW	Latch Pin Rod Weldment
12	RL-MROD	Middle Rod
13	RL-HRW	Handle Rod Weldment
20	503	Compression Spring
not shown	RL HARDWARE	Assembly and Mounting Hardware for Rapid Latch

Parts

TRM-PRO

TRAILER MATE

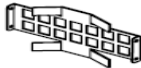
PART #	DESCRIPTION
TRM-END1	Trailer Mate End Panel
TRM-SIDE	Trailer Mate Side Panel
TRM-BOTTOM	Trailer Mate Bottom Panel
TRM-BLOWERS	Blower Support
TRM-BHOOK1	Right Blower Hook
TRM-BLOWERPOST1	Trimmer Mate Blower Post
GC—SLB	Spool Line Bar
TRM-TUBEH	Blower Tube Holder
TRM-TARML	Trimmer Arm
TRM-ATANKSET	Air Tank Holders with Vinyl's
TRM-DBARSET	Two Divider Bars with hardware
709	20 FT Aircraft cable
TRM-ALEGB-02	Right adjustable leg
TRM-ALEGS-03	Left Adjustable leg w/ spool hole
TRM-SLEGI-03	Left Trimmer Leg
TRM-SLEGR-03	Right Trimmer Leg
TRM-SLEGB-03	Basic Leg
1TR-LP	Locking Pole
1TR-CP	Compression Pole
TRM-EXT4	4" Extension Set for TRM
TRM-HARD1	QTY. 36 #104
TRM-HARD2	QTY. 52 #307
TRM-HARD3	Spool Line Bar & Blower Holder Hardware
TRM-HARD4	Trimmer Rack Hardware (ONLY IN PRO)
COOL-HARD	Cooler Holder Hardware (ONLY IN PRO)



1TR-LP , 3 per unit
< 3 with Pro-Series >



1TR-CP , 1 per unit
< Only in Pro-Series >



TRM-TANKH , 2 per unit



TRM-BHOOK1 , 2 per unit



TRM-TUBEH , 2 per unit



GC-SLB1 , 1 per unit



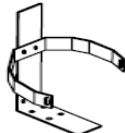
ATR-TH , 3 per unit
< Only in Pro-Series >



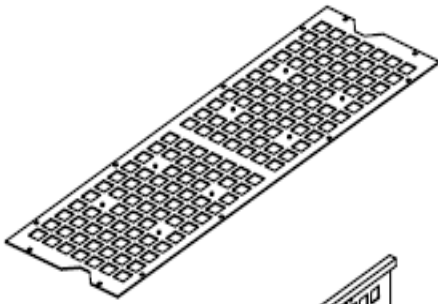
TRM-DBAR , 2 per unit



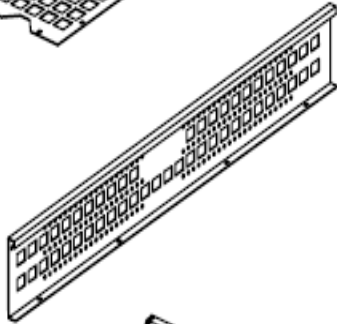
TRM-6 , 1 per unit



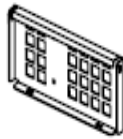
Cooler Holder
< Only in Pro-Series >



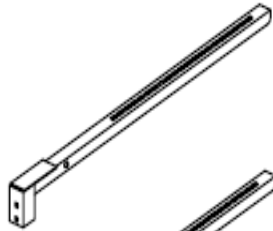
TRM-BOTTOM , 1 per unit



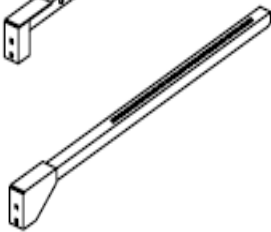
TRM-SIDE , 2 per unit



TRM-END1 , 2 per unit



TRM-ALEGS-03 , 2 per unit



TRM-ALEGB-02 , 2 per unit



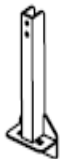
TRM-BLOWERS , 2 per unit



TRM-SLEGL-03 , 1 per unit



TRM-SLEGR-03 , 1 per unit



TRM-SLEGB-03 , 2 per unit



TRM-BLOWERPOST1 , 2 per unit