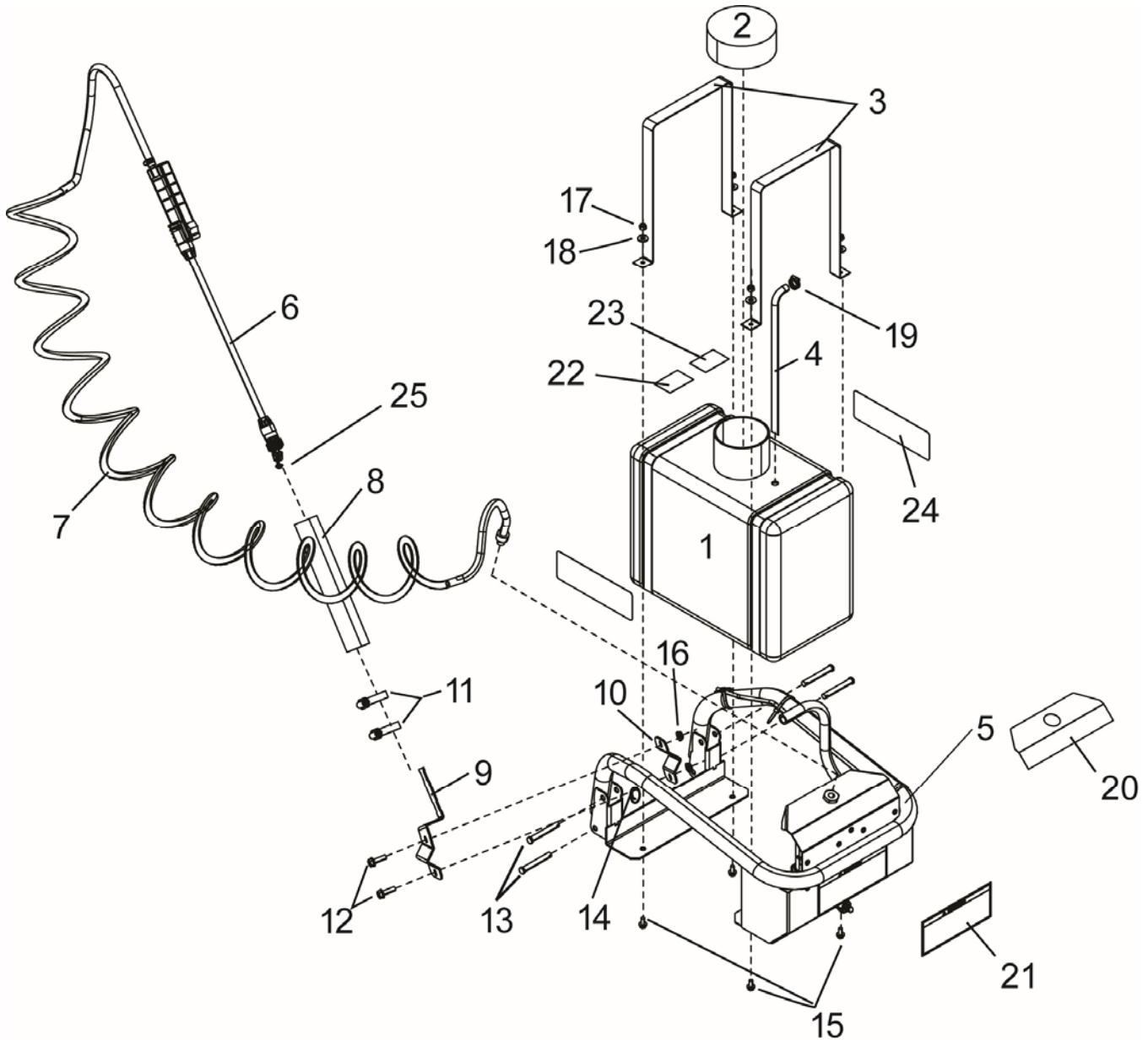


2 Parts Breakdown



21

⚠ WARNING

READ and UNDERSTAND the Owner's Manual completely before using this Sprayer. Assemble, test and use only in accordance with the Owner's Manual instructions.

READ and FOLLOW Chemical label instructions. Pesticides are hazardous chemicals which must be handled carefully.

KNOW emergency procedures BEFORE handling chemicals. Sprayer leaks, bodily chemical contact, poisoning, and spills are all situations which require immediate response.

AVOID inhaling, ingesting, or coming into contact with any chemicals.

EXERCISE CAUTION in vehicle handling. Vehicle will be less stable and handle very differently with filled sprayer attached.

DO NOT TURN ON power to sprayer until ready to spray in order to avoid inadvertent spray release.

Improper use of the sprayer or handling of chemicals could result in serious injury or illness to the operator or nearby persons/animals, or could cause damage to the environment.

Replace this label if damaged or destroyed. Consult Owner's Manual for ordering instructions.

22

⚠ WARNING

- DO NOT PUMP FLAMMABLE FLUIDS.
- DO NOT USE PUMP IN AN EXPLOSIVE ENVIRONMENT.
- READ AND UNDERSTAND THE OWNER'S MANUAL COMPLETELY BEFORE USING.
- RELIEVE SYSTEM PRESSURE BEFORE PERFORMING MAINTENANCE.

PH 3313.JRC

23

NOTICE

- UN-PLUG BATTERY HARNESS WHEN NOT IN USE.
- DISCONNECT POWER WHENEVER TANK IS EMPTY.
- Pump will run until pressure builds up. Pressure switch will then turn off pump.

PH 3313.JRC

| Ref No. | Part No. | Description | Qty | Ref No. | Part No. | Description | Qty |
|---------|------------|--------------------------|-----|---------|----------|-------------------------|-----|
| 1 | 3160.JRC | Tank, 6 gallon | 1 | 14 | 4110.JRC | Circle Cotter | 4 |
| 2 | 3161.JRC | Cap, Tank | 1 | 15 | 3145.JRC | ¼-20 x ½" Flange Bolt | 4 |
| 3 | 3162.JRC | Strap, Tank | 2 | 16 | 7247.JRC | 5/16 Flange Nut | 2* |
| 4 | 779389.DOS | Draw Tube | 1 | 17 | 3145.JRC | ¼-20 Nylon Lock Nut | 4 |
| 5 | 3175.JRC | Main Frame | 1 | 18 | 3144.JRC | Flat Washer, ¼" | 4 |
| 6 | 3110.JRC | Spray Wand w/Tip | 1* | 19 | 3191.JRC | Hose Clamp | 2 |
| 7 | 3120-1.JRC | Wand Hose 12' | 1* | 20 | 3212.JRC | JRCO Label | 1 |
| 8 | 8068.JRC | Holster | 1* | 21 | 3178.JRC | Label, Warning | 1 |
| 9 | 3176.JRC | Holster Bracket | 1* | 22 | 3213.JRC | Flammable Warning Label | 1 |
| 10 | 3177.JRC | Bracket clamp | 1* | 23 | 3214.JRC | Electric Warning Label | 1 |
| 11 | 3190.JRC | Hose Clamp, 2" | 2* | 24 | 3210.JRC | Tank Label | 2 |
| 12 | 3140.JRC | 5/16 -18 x 1 Flange Bolt | 2* | 25 | 3117.JRC | Replacement tip, Wand | 1* |
| 13 | 4684.JRC | Clevis Pin | 4 | | | | |

* Model 300 only

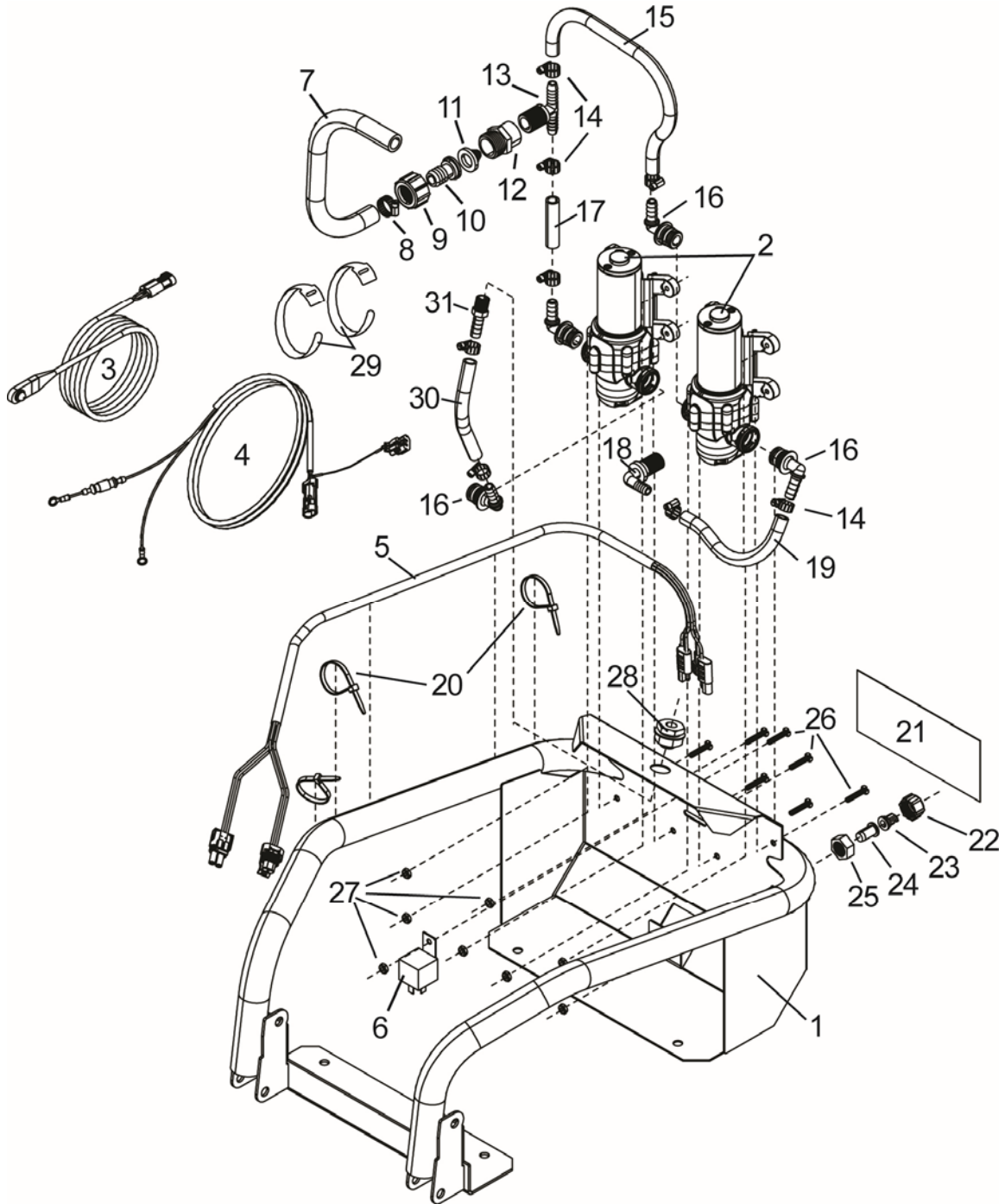
Safety Labels

WARNING

Always make sure safety labels are in place and in good condition. If a safety label is missing or not legible, order new labels or unsafe operation could result.

To order replacement safety labels contact your local JRCO Dealer or JRCO directly at 800-966-8442.

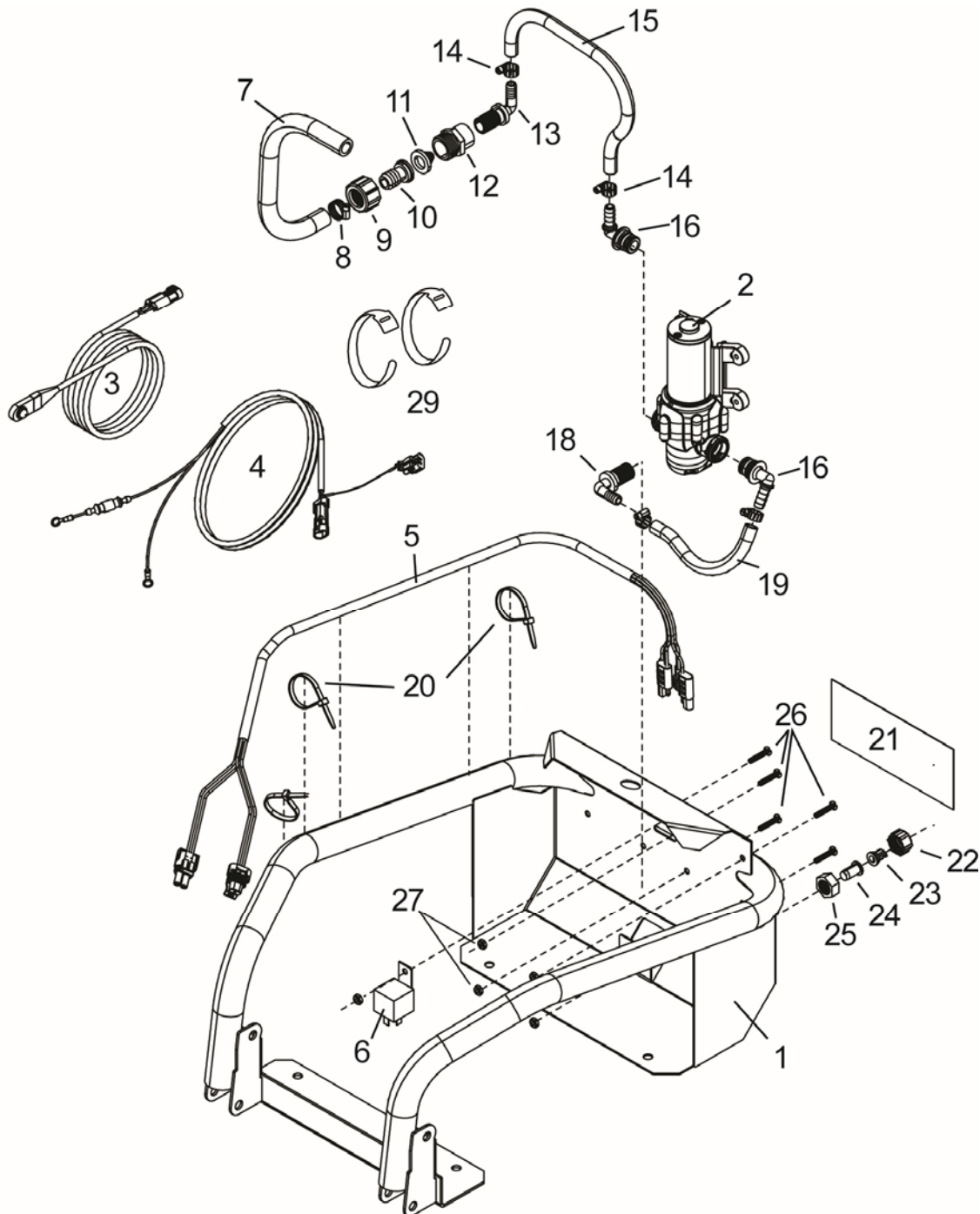
2.1 Plumbing & Electrical parts. Model 300 (With Spray Wand)



Plumbing & Electrical parts. Model 300 (With Spray Wand)

| Ref No. | Part No. | Description | Qty | Ref No. | Part No. | Description | Qty |
|---------|------------|-----------------------|-----|---------|------------|---------------------------|-----|
| 1 | 3175.JRC | Frame | 1 | 17 | 3122-3.JRC | Hose, 3/8 X 2 1/2" | 1 |
| 2 | 796605.JRC | Pump | 2 | 18 | 3100.JRC | 11/16 X 3/8 HB Elbow | 1 |
| 3 | 3151.JRC | Switch Harness | 1 | 19 | 3122-2.JRC | Hose, 3/8 x 7" | 1 |
| 4 | 7430-4.JRC | Battery Harness | 1 | 20 | 7243.JRC | Cable Tie | 9 |
| 5 | 3150.JRC | Pump Harness | 1 | 21 | 3178.JRC | Decal, Warning | 1 |
| 6 | 3200.JRC | Relay | 1 | 22 | 3111.JRC | Nozzle Nut | 1 |
| 7 | 3123-1.JRC | Hose, 1/2 x 17.5" | 2 | 23 | 3180.JRC | Nozzle Tip, Broadcast | 1 |
| 8 | 3191.JRC | Hose Clamp 1/2" | 1 | 24 | 3113.JRC | Strainer, Anti-drip | 1 |
| 9 | 3120.JRC | Flange Nut, 3/4 | 1 | 25 | 3112.JRC | Hex Nut, 11/16" | 1 |
| 10 | 3101.JRC | 3/4" Flange Hose Barb | 1 | 26 | 3141.JRC | 10-24 PH Screw | 9 |
| 11 | 3116.JRC | Filter | 1 | 27 | 7227.JRC | 10-24 Nylon locknut | 9 |
| 12 | 3115.JRC | 3/4 MGHT X 1/2 FPT | 1 | 28 | 3185.JRC | Bulkhead Fitting, 3/8 FPT | 1 |
| 13 | 3114.JRC | 3/8 HB X 1/2 MPT Tee | 1 | 29 | 7859.JRC | Velcro strap | 3 |
| 14 | 3192.JRC | 3/8" Hose Clamp | 8 | 30 | 3122-1.JRC | Hose, 3/8 x 5 1/2" | 1 |
| 15 | 3122-4.JRC | Hose, 3/8 x 13" | 1 | 31 | 3186.JRC | 3/8 HB x 1/4 MPT | 1 |
| 16 | 787196.DOS | Pump Elbow | 4 | | | | |

2.2 Plumbing & electrical Parts. Model 310 (W/O Spray Wand)



Plumbing & electrical Parts. Model 310 (W/O Spray Wand)

| Ref No. | Part No. | Description | Qty | Ref No. | Part No. | Description | Qty |
|---------|------------|---------------------|-----|---------|------------|-----------------------|-----|
| 1 | 3175.JRC | Frame | 1 | 15 | 3122-4.JRC | Hose, 3/8 x 13" | 1 |
| 2 | 796605.JRC | Pump | 1 | 16 | 787196.DOS | Pump Elbow | 2 |
| 3 | 3151.JRC | Switch Harness | 1 | 18 | 3100.JRC | 11/16 x 3/8 HB | 1 |
| 4 | 7430-4.JRC | Battery Harness | 1 | 19 | 3122-2.JRC | Hose, 3/8 x 7" | 1 |
| 5 | 3150.JRC | Pump Harness | 1 | 20 | 7243.JRC | Cable Tie | 9 |
| 6 | 3200.JRC | Relay | 1 | 21 | 3178.JRC | Decal, Warning | 1 |
| 7 | 3123-1.JRC | Hose, 1/2 x 17.5" | 1 | 22 | 3111.JRC | Nozzle Nut | 1 |
| 8 | 3191.JRC | Hose Clamp, 1/2" | 2 | 23 | 3180.JRC | Nozzle Tip, Broadcast | 1 |
| 9 | 3120.JRC | Flange Nut 3/4" | 1 | 24 | 3113.JRC | Strainer, anti-drip | 1 |
| 10 | 3101.JRC | Flange HB 3/4" | 1 | 25 | 3112.JRC | Hex Nut 11/16 | 1 |
| 11 | 3116.JRC | Filter | 1 | 26 | 3141.JRC | 10-24 PH Screw | 5 |
| 12 | 3115.JRC | 3/4 MGHT x 1/2 FPT | 1 | 27 | 7227.JRC | 10-24 Nylon Locknut | 5 |
| 13 | 3119.JRC | 3/8 HB X 1/2 MPT EL | 1 | 29 | 7859.JRC | Velcro Strap | 3 |
| 14 | 3192.JRC | Hose Clamp, 3/8" | 4 | | | | |

3 Tools Required

- Socket Wrench: 1/2" and 9/16".
- Open or Box Wrench: 1/2" and 9/16"
- Flat Blade Screwdriver

3.1 Power Unit Requirements

The Spot sprayer is designed to be attached to a JRCO mount bar on stand-up mowers, zero turn mowers, and walk-behinds.