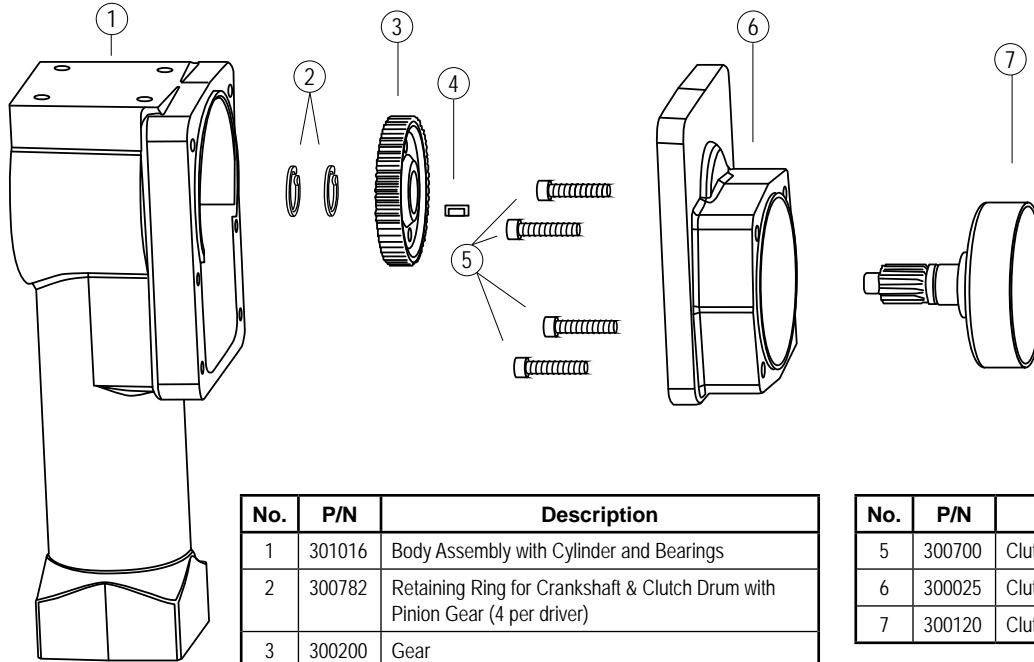


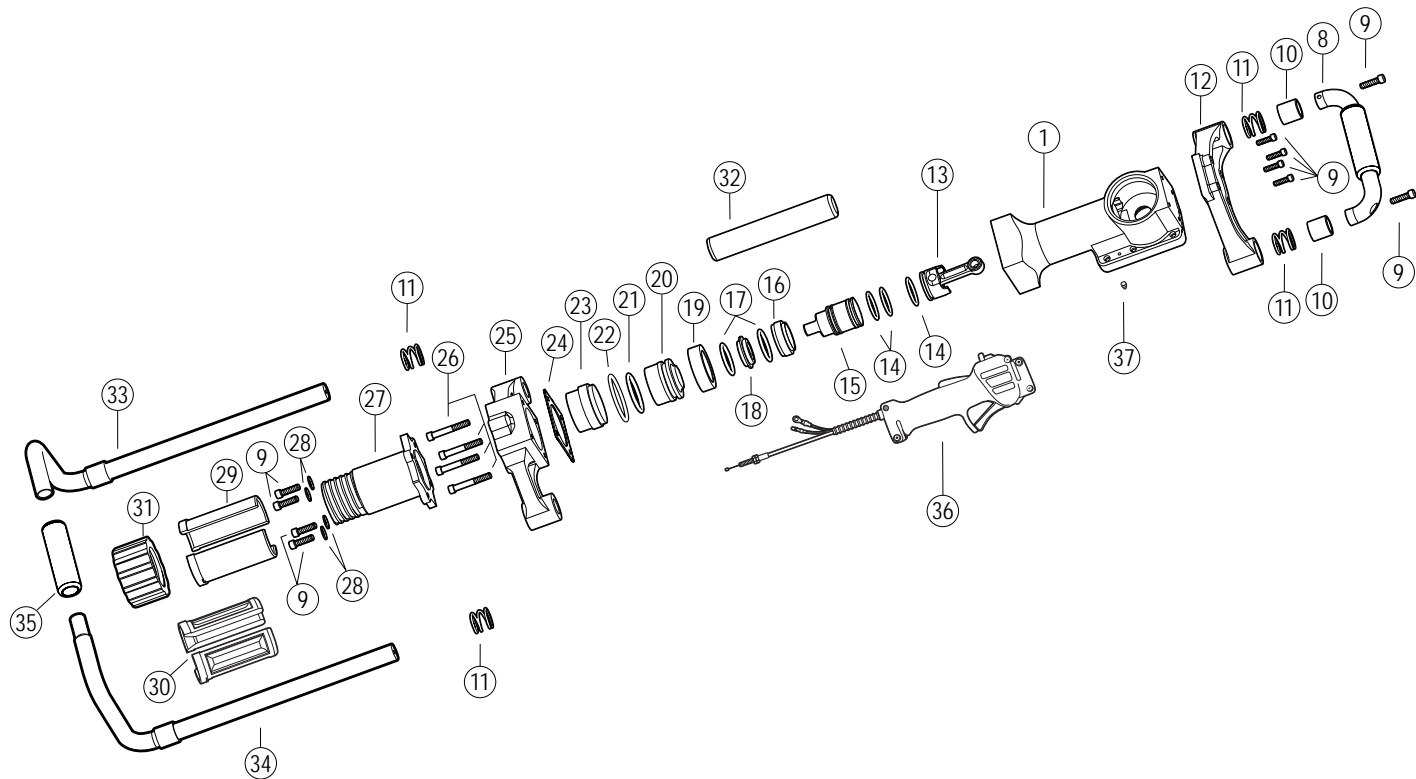
Rhino® GPD-45 Multi-Pro™ Parts List



No.	P/N	Description
1	301016	Body Assembly with Cylinder and Bearings
2	300782	Retaining Ring for Crankshaft & Clutch Drum with Pinion Gear (4 per driver)
3	300200	Gear
4	300730	Key

No.	P/N	Description
5	300700	Clutch Housing Bolts (4 per driver)
6	300025	Clutch Housing with Bearings
7	300120	Clutch Drum with Pinion Gear

Rhino® GPD-45 Multi-Pro™ Parts List

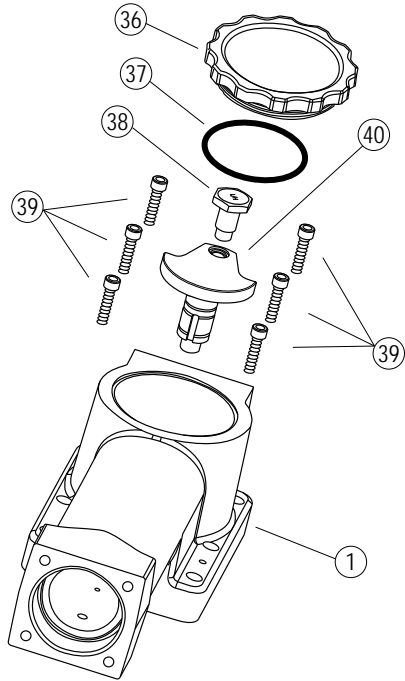


Rhino® GPD-45 Multi-Pro™ Parts List

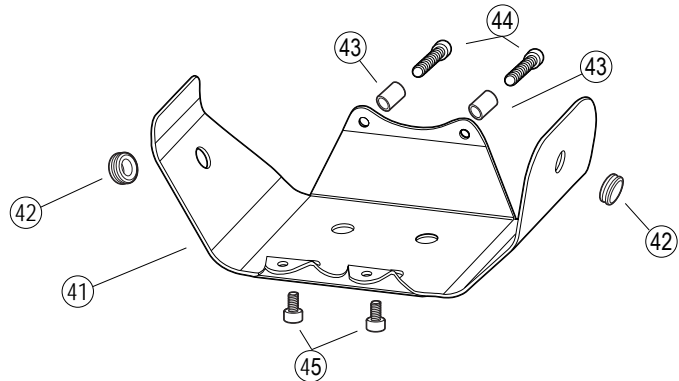
No.	P/N	Description
1	301016	Body Assembly with Cylinder and Bearings
8	301222	Handle Assembly
9	300715	Bolt (10 per driver)
10	301221	Handle Collar (2 per driver)
11	610010	Handle Spring (4 per driver)
12	300214	Top Handle Bracket
13	301075	Piston and Connecting Rod Assembly
14	301610	Piston and Hammer O-ring Seal (3 per driver)
15	301085	Hammer
16	301115	Anvil O-ring Retainer
17	301614	Retainer O-ring Seal (2 per driver)
18	301105	GPD Multi-Pro Large Retainer
19	301095	Anvil O-ring Cup
20	301165	Anvil
21	301615	GPD-45 Anvil O-ring Seal
22	301618	Chuck Tube and Anvil O-ring Retainer Cup O-ring Seal
23	301038	Sleeve for Lower Body
24	301710	Multi-Pro Body Gasket

No.	P/N	Description
25	301032	Lower Body
26	300702	Lower Body Bolts (4 per driver)
27	301158	Master Chuck
28	517801	5/16" Compression Washer
29	300902	Rhino® Chuck-Lok™ System 2" Adapter (1 per driver)
30	300900	Rhino® Chuck-Lok™ System 1" Adapter (1 per driver)
31	301920	Rhino® Chuck-Lok™ Locking Nut (1 per driver)
32	300221	8.5" EPDM Foam Grip (1 per driver)
33	301224	CIS Left Handle Assembly
34	301223	CIS Right Handle Assembly
35	300222	5" EPDM Foam Grip
36	300250	Throttle Control Assembly
37	300712	Ground Bolt

Rhino® GPD-45 Multi-Pro™ Parts List



No.	P/N	Description
1	301016	GPD-45 Body Assembly with Cylinder and Bearings
36	300132	Crankcase Cover
37	301617	Crankcase Cover O-ring Seal
38	300050	Crank Pin
39	300704	Crankcase Bolts (6 per driver)
40	300040	Crankshaft
41	300180	Shroud
42	300181	Grommet (2 per driver)
43	300190	Shroud Spacer (2 per driver)
44	300706	Shroud Bolt (2 per driver)
45	300707	Lower Shroud Bolt (2 per driver)



Rhino® GPD-45 Multi-Pro™ Parts List

No.	P/N	Description
	300240	Honda GX35 Engine
		Honda Engine Parts are Available from Your Local Honda Dealer
	300805	Safety Label and Tag Set
	301801	GPD-45 Multi-Pro™ Owner's Manual
Accessories		
27	300902	Rhino® Chuck-Lok™ System 2" Adapter (1 per driver)
	300895	Rhino® Chuck-Lok™ System 1-3/4" Adapter (1 per driver)
28	300900	Rhino® Chuck-Lok™ System 1" Adapter (1 per driver)
29	301920	Rhino® Chuck-Lok™ Locking Nut (1 per driver)
	301159	GPD-45 Channel Post Chuck
	301169	GPD-45 Channel Post Anvil
	301155	GPD-45 Tent Stake Chuck
	300805	Safety Label and Tag Set
	300932	Drive cap for 1-3/4" Square Tube
	300933	Drive cap for 2" Square Tube
	300934	Drive cap for 2-1/4" Square Tube
	300935	Drive cap for 2-1/2" Square Tube
	300500	Rhino® Post Driver Grease

No.	P/N	Description
	300506	Rhino® Post Driver Grease - 12-pack
	301506	Service Kit for GPD-45 Multi-Pro™
Bolt Torque Specifications		
5	300700	Clutch Housing Bolt (4 per driver) - 95.0 in/lbs
9	300715	Bolt (10 per driver) - 132.0 in/lbs
24	300702	Lower Body Bolt (4 per driver) - 132.0 in/lbs
38	300050	Crank Pin (Left Hand Threads) - 228.0 in/lbs
39	300704	Crankcase Bolt (6 per driver) - 75.0 in/lbs
44	300706	Shroud Bolt (2 per driver) - 56.4 in/lbs
45	300706	Lower Shroud Bolt (2 per driver) - 56.4 in/lbs