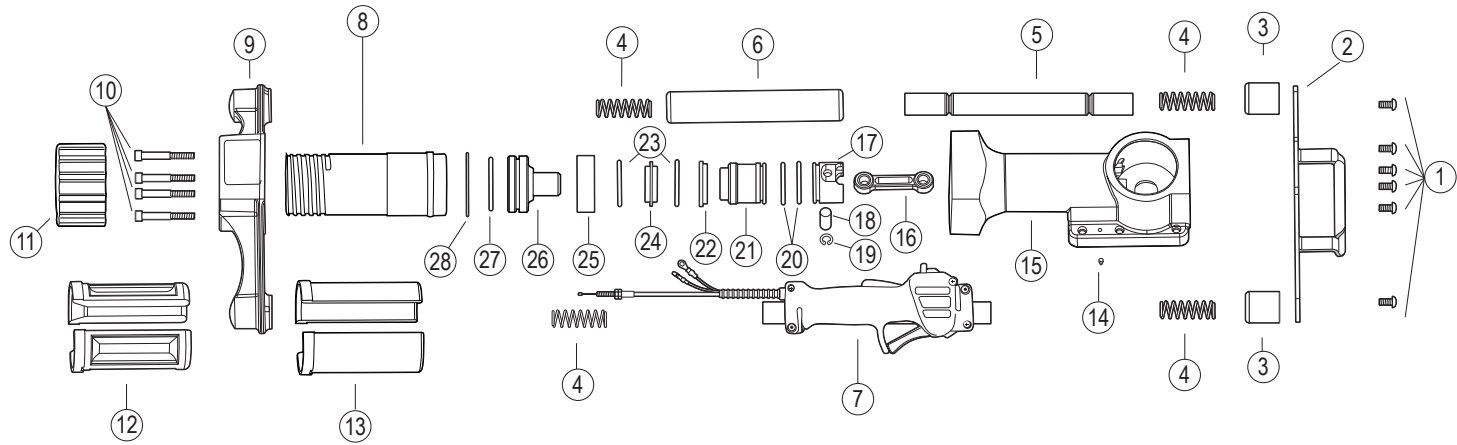


Rhino® GPD-40 Fence Pro™ Parts List



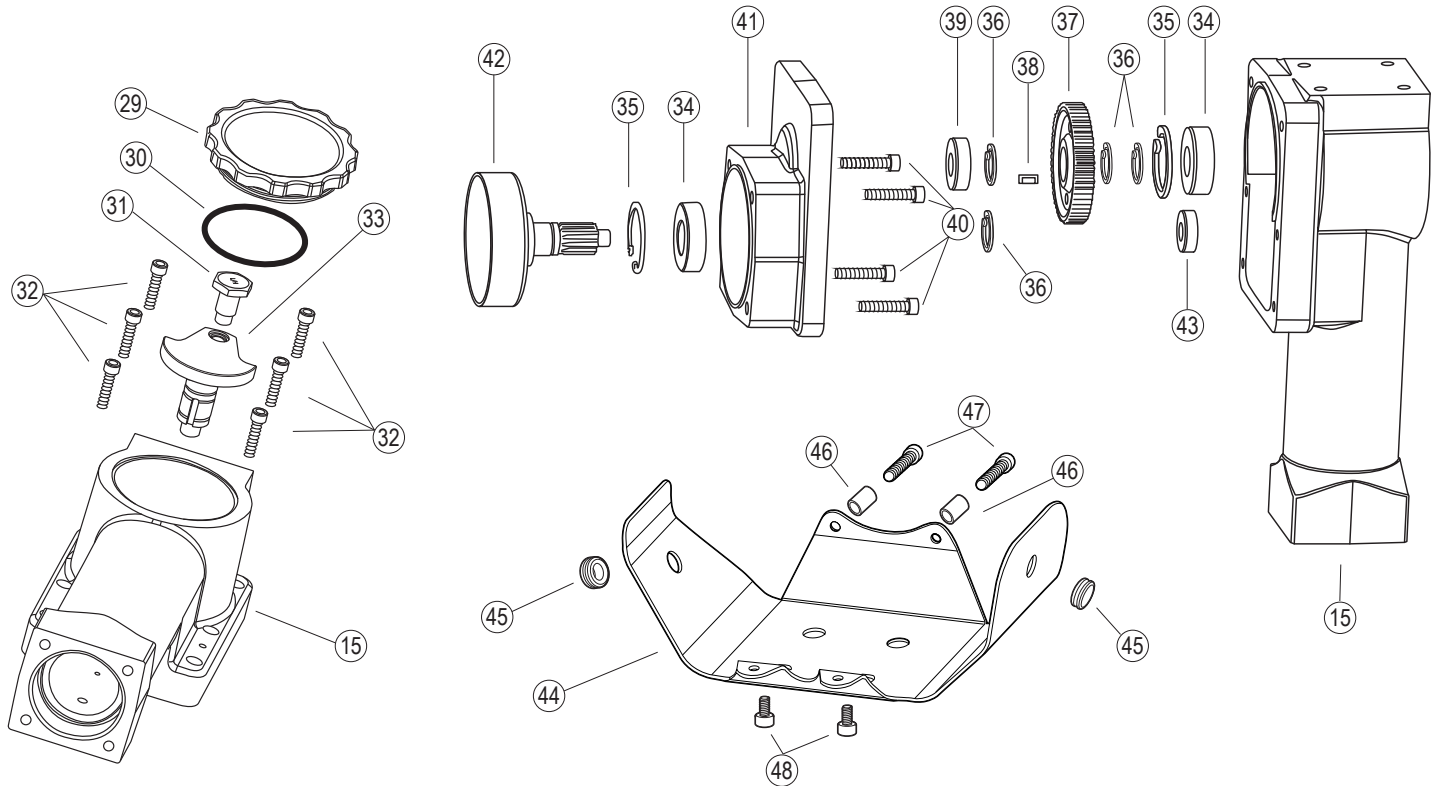
Rhino® GPD-40 Fence Pro™ Parts List

No.	Part No.	Name	No.	Part No.	Name
1	300710	Top Handle Bolts (6 Qty.)	15	301015	Post Driver Body with Cylinder and Bearings
2	300210	Upper Handle	16	300072**	Connecting Rod with Bearings
3	300230	Handle Cup (2 Qty.)	17	301060**	Piston
4	300720	Handle Anti-Vibration Spring (4 Qty.)	18	300170**	Wrist Pin
5	300220	Handle Tube	19	300781**	Piston Retaining Ring
6	300221	EPDM Handle Grip	20	301610	Piston O-ring Seal and Hammer O-ring Seal
7*	300226	Handle Tube with Throttle Assembly	21	301080	Hammer
8	301150	GPD-40 Chuck Tube	22	301110	Anvil O-ring Retainer
9	301030	Lower Driver Body	23	301614	Large Retainer O-ring Seal (2 Qty.)
10	300702	Lower Body Bolts (4 Qty.)	24	301100	Large Retainer
11	301920	Rhino® Chuck-Lok™ System Locking Nut	25	301090	Anvil O-ring Cup
12	300900	Rhino® Chuck-Lok™ System 1" Adapter	26	301160	Anvil
13	300902	Rhino® Chuck-Lok™ System 2" Adapter	27	301616	Anvil O-ring
14	300712	Ground Bolt	28	301618	Chuck Tube O-ring Seal

* Throttle Control only 300250

** Piston and Connecting Rod Assembly 301075

Rhino® GPD-40 Fence Pro™ Parts List



Number	Part No.	Name
14	301015	Post Driver Body with Cylinder and Bearings
29	300132	Crankcase Cover
30	300617	Crankcase Cover O-ring Seal
31	300050	Crank Pin
32	300704	Crankcase Bolts (6 per driver)
33	300040	Crankshaft
34	300420	Large Bearing for Crankshaft & Clutch Drum with Pinion Gear (2 per driver)
35	300780	Large Retaining Ring for Bearings (2 per driver)
36	300782	Retaining Ring for Crankshaft & Clutch Drum with Pinion Gear (4 per driver)
37	300200	Gear
38	300730	Key
39	300410	Crankshaft Bearing
40	300700	Clutch Housing Bolts (4 per driver)
41	300025	Clutch Housing with Bearings
42	300120	Clutch Drum with Pinion Gear
43	300400	Pinion Gear Bearing
44	300180	Shroud
45	300181	Grommet (2 per driver)
46	300190	Shroud Spacer (2 per driver)
47	300706	Shroud Bolt (2 per driver)
48	300707	Lower Shroud Bolt (2 per driver)

Parts Not Shown

Part No.	Name
300240	Honda GX35 Engine
301800	GPD-40 Fence Pro™ Owner's Manual
300805	Safety Label and Tag Set
300500	Rhino® Formula Grease
301505	Service Kit for GPD-40 Fence Pro™
Honda Engine Parts	Honda Engine Parts are Available from Your Local Honda Dealer

Bolt Torque Specifications

No.	Part No.	Description	Torque (in/lbs)
1	300710	Top Handle Bolts (6 per driver)	132.0
10	300702	Lower Body Bolts (4 Qty.)	132.0
30	300050	Crank Pin (Left Hand Threads)	228.0
38	300700	Clutch Housing Bolts (4 per driver)	95.0
47	300706	Shroud Bolt (2 per driver)	56.4
48	300706	Lower Shroud Bolt (2 per driver)	56.4