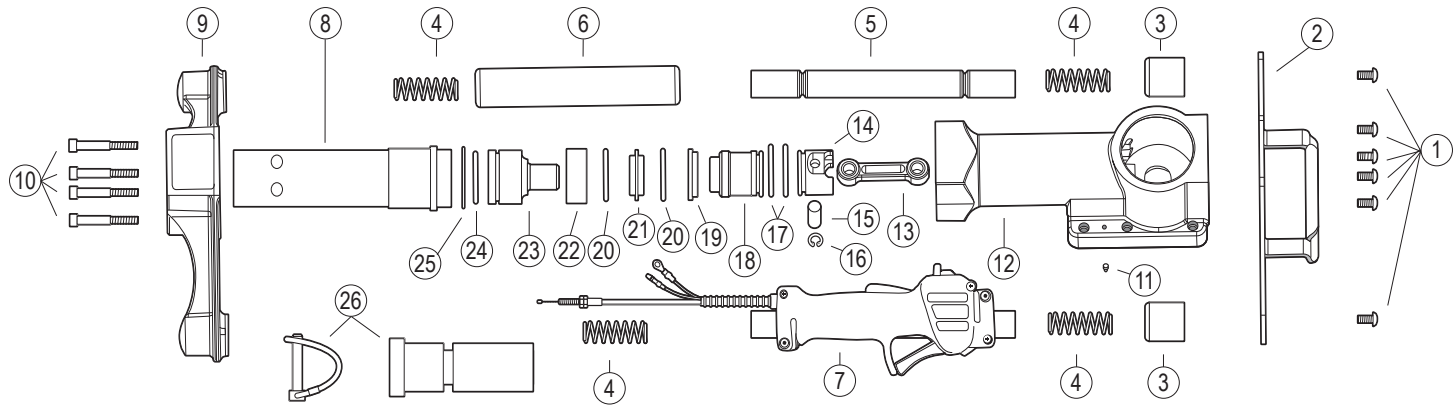


Rhino® GPD-30 Ranch Pro™ Parts List

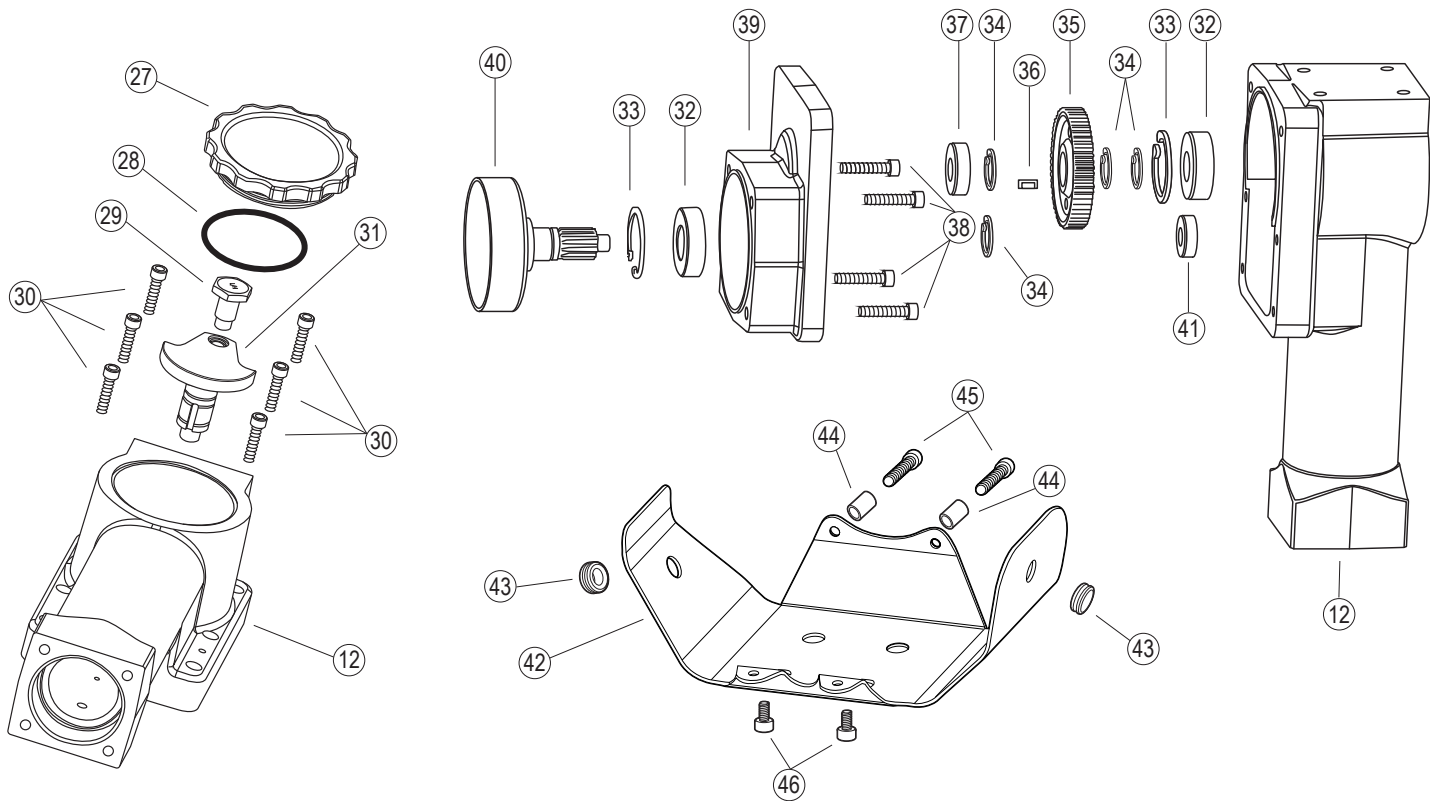


No.	P/N	Name	No.	P/N	Name	No.	P/N	Name
1	300710	Top Handle Bolts (6 Qty.)	10	300702	Lower Body Bolts (4 Qty.)	19	300110	Anvil O-ring Retainer
2	300210	Upper Handle	11	300712	Ground Bolt	20	300604	Large Retainer O-ring Seal (2 Qty.)
3	300230	Handle Cup (2 Qty.)	12	300015	Post Driver Body with Cylinder and Bearings	21	300100	Large Retainer
4	300720	Handle Anti-Vibration Spring (4 Qty.)	13	300072**	Connecting Rod with Bearings	22	300090	Anvil O-ring Cup
5	300220	Handle Tube (2 Qty.)	14	300060**	Piston	23	300160	Anvil
6	300221	EPDM Handle Grip	15	300170**	Wrist Pin	24	300606	Anvil O-ring
7*	300226	Throttle Control Assembly	16	300781**	Piston Retaining Ring	25	300608	Chuck Tube O-ring Seal
8	300156	Ranch Pro Chuck Tube	17	300600	Piston O-ring Seal and Hammer O-ring Seal	26	300897	1" Adapter with Lock Pin
9	300030	Lower Driver Body	18	300080	Hammer			

* Throttle Control Only 300250

**Piston and Connecting Rod Assembly 300075

Rhino® GPD-30 Ranch Pro™ Driver Parts List ...continued



Rhino® GPD-30 Ranch Pro™ Driver Parts List ...continued

No.	P/N	Name
11	300015	Post Driver Body with Cylinder and Bearings
27	300132	Crankcase Cover
28	301617	Crankcase Cover O-ring Seal
29	300050	Crank Pin
30	300704	Crankcase Bolts (6 per driver)
31	300040	Crankshaft
32	300420	Large Bearing for Crankshaft & Clutch Drum with Pinion Gear (2 per driver)
33	300780	Large Retaining Ring for Bearings (2 per driver)
34	300782	Retaining Ring for Crankshaft & Clutch Drum with Pinion Gear (4 per driver)
35	300200	Gear
36	300730	Key
37	300410	Crankshaft Bearing
38	300700	Clutch Housing Bolts (4 per driver)
39	300025	Clutch Housing with Bearings
40	300120	Clutch Drum with Pinion Gear
41	300400	Pinion Gear Bearing
42	300180	Shroud
43	300181	Grommet (2 per driver)
44	300190	Shroud Spacer (2 per driver)
45	300706	Shroud Bolt (2 per driver)
46	300707	Lower Shroud Bolt (2 per driver)

Parts Not Shown

P/N	Name
300240	Honda GX35 Engine
300800	GPD-30 Ranch Pro™ Owner's Manual
300805	Safety Label and Tag Set
300500	Rhino® Formula Grease
300505	Service Kit for GPD-30 Ranch Pro
Honda Engine Parts	Honda Engine Parts are Available from Your Local Honda Dealer

Bolt Torque Specifications

No.	Part No.	Description	Torque (in/lbs)
1	300710	Top Handle Bolts (6 per driver)	132.0
10	300702	Lower Body Bolts (4 Qty.)	132.0
29	300050	Crank Pin (Left Hand Threads)	228.0
39	300700	Clutch Housing Bolts (4 per driver)	95.0
45	300706	Shroud Bolt (2 per driver)	56.4
46	300706	Lower Shroud Bolt (2 per driver)	56.4