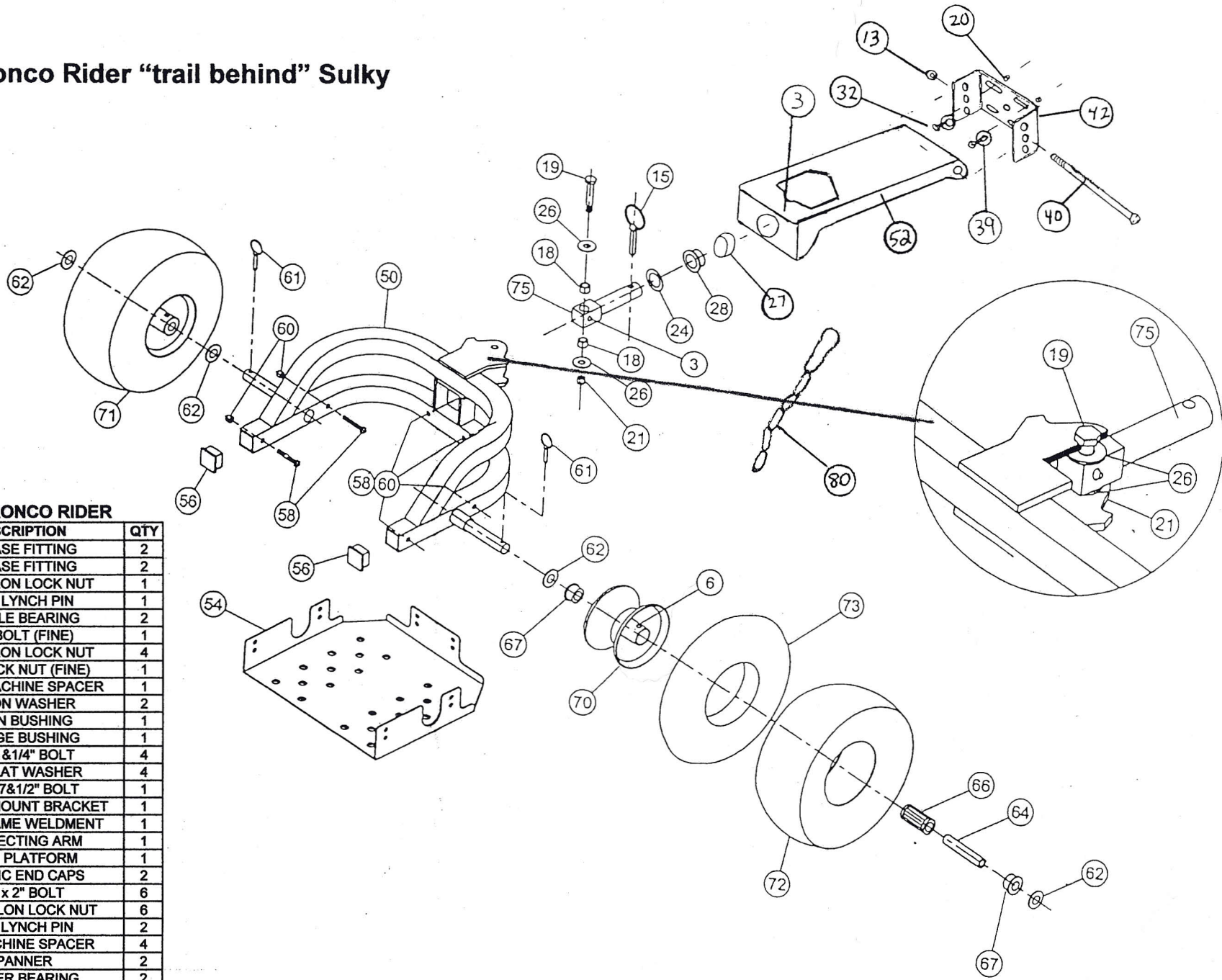


SM-1-3 Bronco Rider "trail behind" Sulky



SM-1 BRONCO RIDER

PART NO.	DESCRIPTION	QTY
SP-03	GREASE FITTING	2
SP-06	GREASE FITTING	2
SP-13	1/2" NYLON LOCK NUT	1
SP-15	7/16" LYNCH PIN	1
SP-18	NEEDLE BEARING	2
SP-19	1/2" BOLT (FINE)	1
SP-20	3/8" NYLON LOCK NUT	4
SP-21	1/2" LOCK NUT (FINE)	1
SP-24	1&1/8" MACHINE SPACER	1
SP-26	NYLON WASHER	2
SP-27	PLAIN BUSHING	1
SP-28	FLANGE BUSHING	1
SP-32	3/8 x 1&1/4" BOLT	4
SP-39	3/8" FLAT WASHER	4
SP-40	1/2" x 7&1/2" BOLT	1
SP-42	MOWER MOUNT BRACKET	1
SP-50	MAIN FRAME WELDMENT	1
SP-52	CONNECTING ARM	1
SP-54	FOOT PLATFORM	1
SP-56	PLASTIC END CAPS	2
SP-58	5/16 x 2" BOLT	6
SP-60	5/16" NYLON LOCK NUT	6
SP-61	3/16" LYNCH PIN	2
SP-62	7/8" MACHINE SPACER	4
SP-64	SPANNER	2
SP-66	ROLLER BEARING	2
SP-67	WHEEL BUSHING	4
SP-70	HUB W/ BUSH, BEAR. & GF	2
SP-71	TIRE & WHEEL ASSEMBLY	2
SP-72	TIRE ONLY	2
SP-73	INNER TUBE	2
SP-75	COUPLER, COMPLETE	1
SP-80	CHAIN & CLIP	1